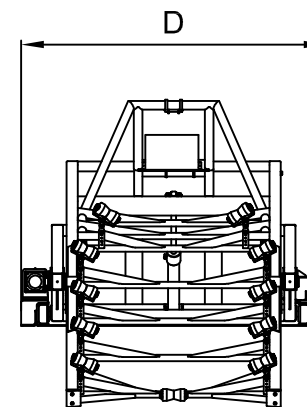
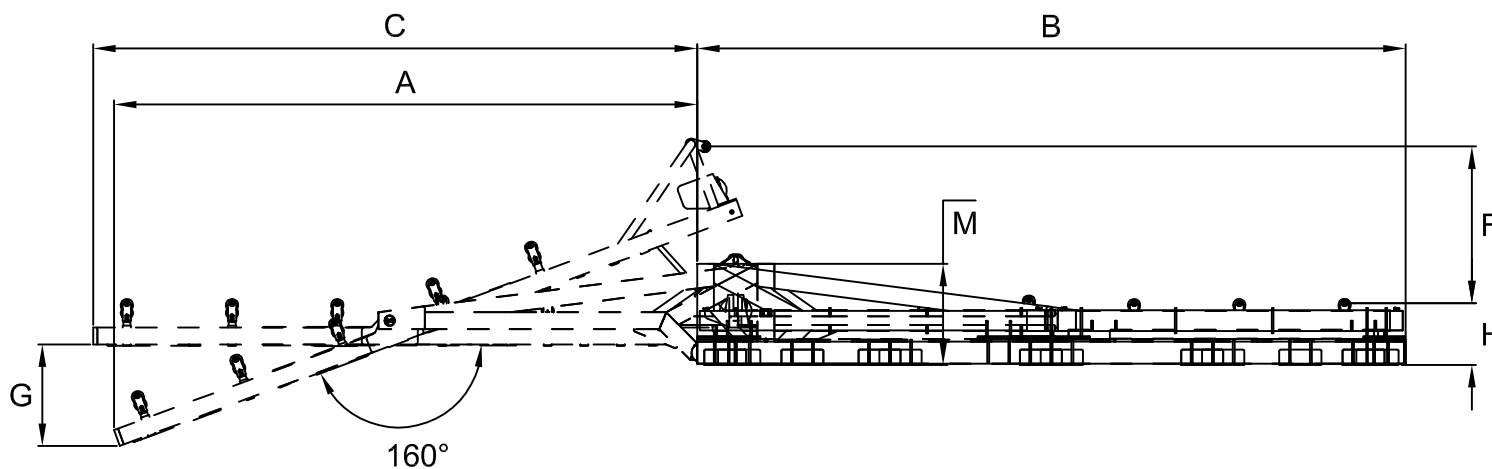
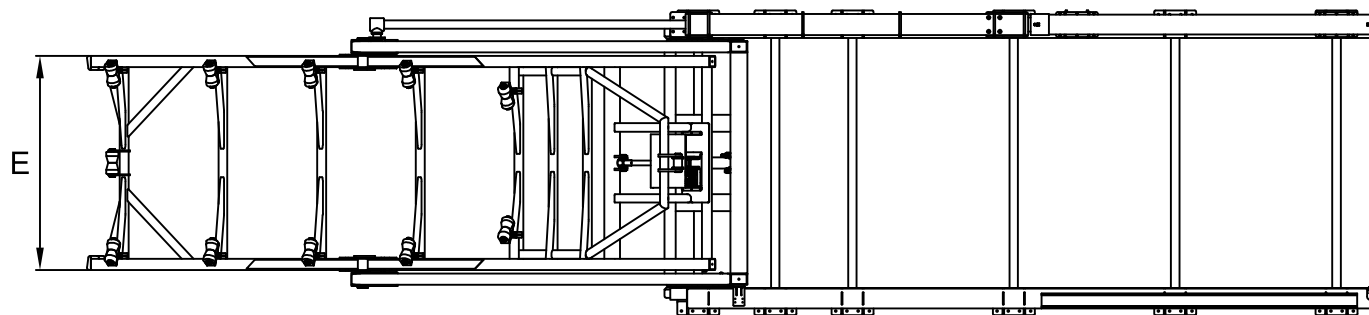
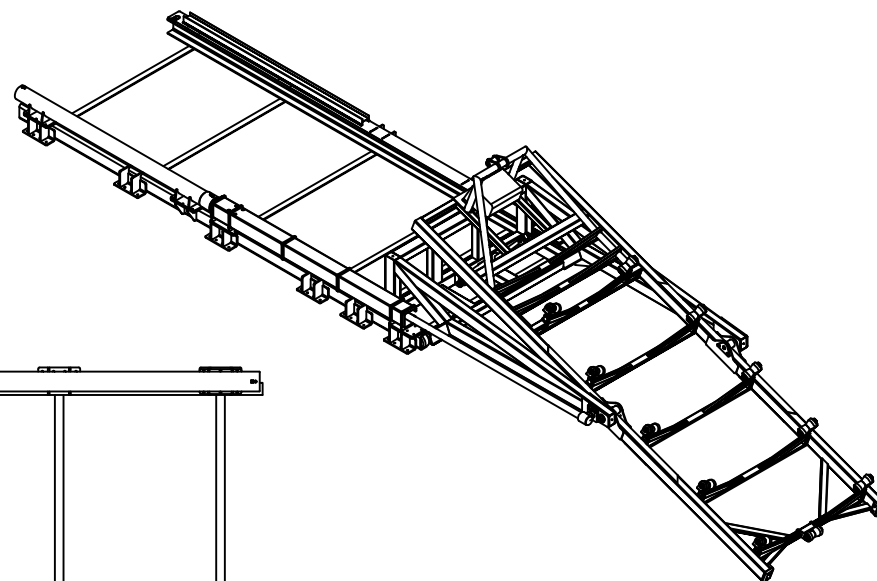


Lifting capacity (Kg)	1000
A (mm)	4160
B (mm)	5050
C (mm)	4305
D (mm)	2175
E (mm)	1525
F (mm)	1120
G (mm)	725
H (mm)	440
M (mm)	720
Weight (Kg)	1400



Product

TS 1000 Kg

Hydraulic Tender Slider