



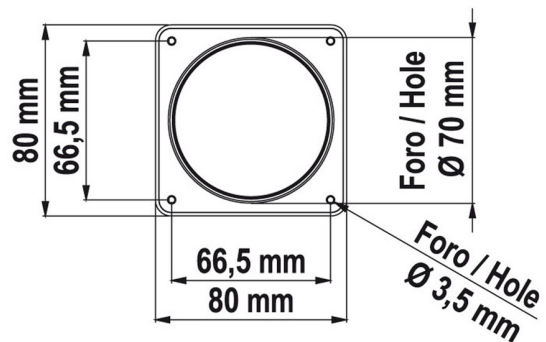
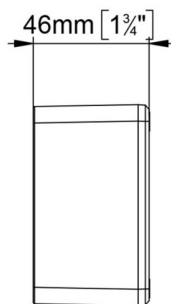
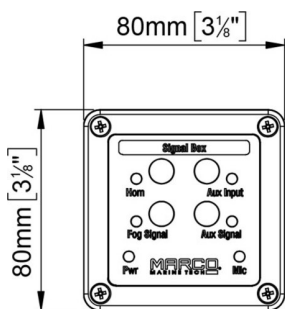
SB-UV Control panel for electronic horns, IP67



Quick Overview

The control panel has been designed to operate the electronic whistles from the cabin. The installation time of the whistle is reduced thanks to the integrated microprocessor electronic card which transmits through only one RJ45 cable all the available functions to the whistle: horn, fog signal and aux input. The electronic card is contained in a waterproof box with built-in option.

| Part n. | Name | Voltage (V) | Bore (mm) | Connector | IP Protection | Dimensions (mm) |
|----------|-------|-------------|-----------|-----------|---------------|-----------------|
| 13702015 | SB-UV | 12/24 | Ø70 | RJ45 | 67 | 80x80x45 |



H 80 x L 80 x W 46
H 3 1/8" x L 3 1/8" x W 1 3/4"



MIC2 Std Microphone for EW approved whistles



MIC1 Microphone + IP67 connector for EW / EMH electr. whistles