



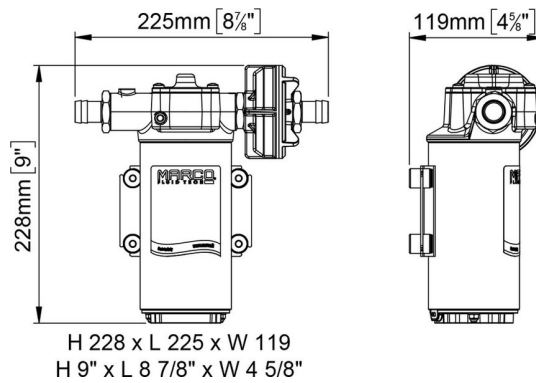
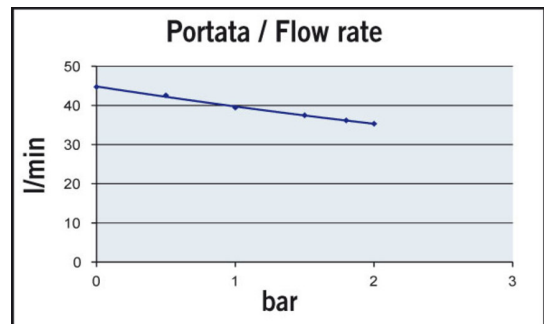
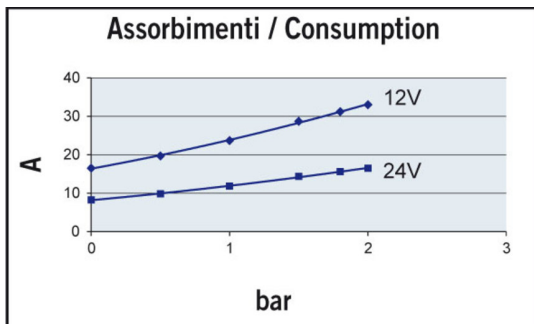
UP14-P PTFE gear pump 46 l/min



Quick Overview

Self-priming electric pumps with PTFE gears. Nickel-plated brass body with stainless steel shaft. Main applications: bilge service, transfer of water.

Part n.	Name	Voltage (V)	Consumption (A)	Fuse (A)	Self-priming (m)	Pressure (bar)	Flow rate (l/min)	Ports (BSP)	Hose (mm)	IP Protection	Motor power (W)	Weight (kg)
16450212	UP14-P	12	16	30	3	2	46	3/4"	19	67	400	5
16450213	UP14-P	24	8	20	3	2	46	3/4"	19	67	400	5





R6400015



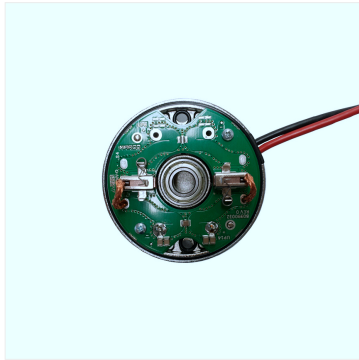
R6400084



R6400076



R6400094



R6400077



R6400105



R6400082