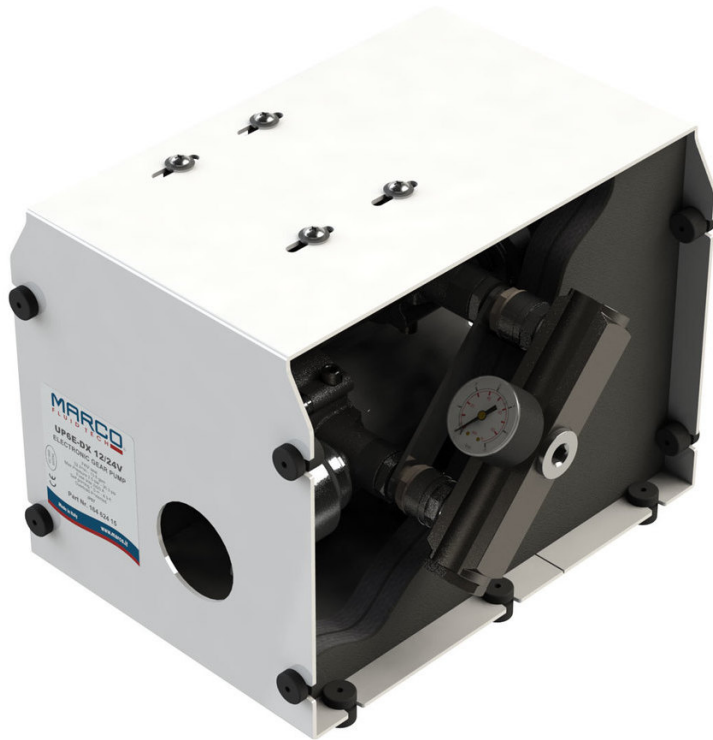




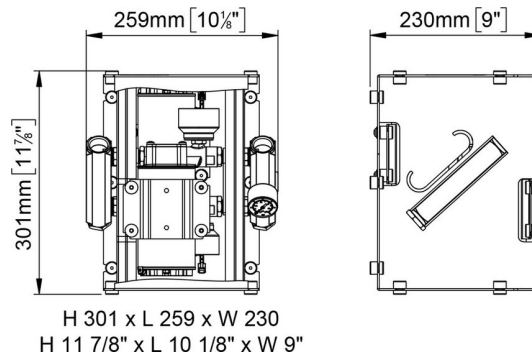
UP66/E-DX Electronic water pressure dual pump system 66 l/min



Quick Overview

Self-priming water pressure systems with two connected pumps with electronic control Speed motor related to the flow rate. Reduced consumption and noise. Accumulator tank is not required. Protected against overloads. Pump functions monitored by 2 led. "Empty tank" signal and shut-off device.

Part n.	Name	Voltage (V)	Consumption (A)	Fuse (A)	Self-priming (m)	Pressure (bar)	Flow rate (l/min)	Ports (BSP)	Motor power (W)	Weight (kg)
16462713	UP66/E-DX	24	15	25	2	3,5	66	3/4"	180 + 360	13
16462715	UP66/E-DX	12/24	20 / 15	50	2	2,5	66	3/4"	180 + 360	13





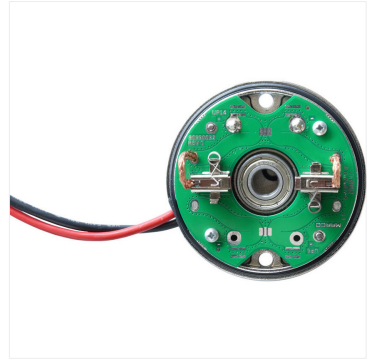
R6400004



R6400094



R6400039



R6400078



R6400088



PCS 12/24V Control panel for electronic pumps



RJ11 Black cable with coupler for SCS / PCS