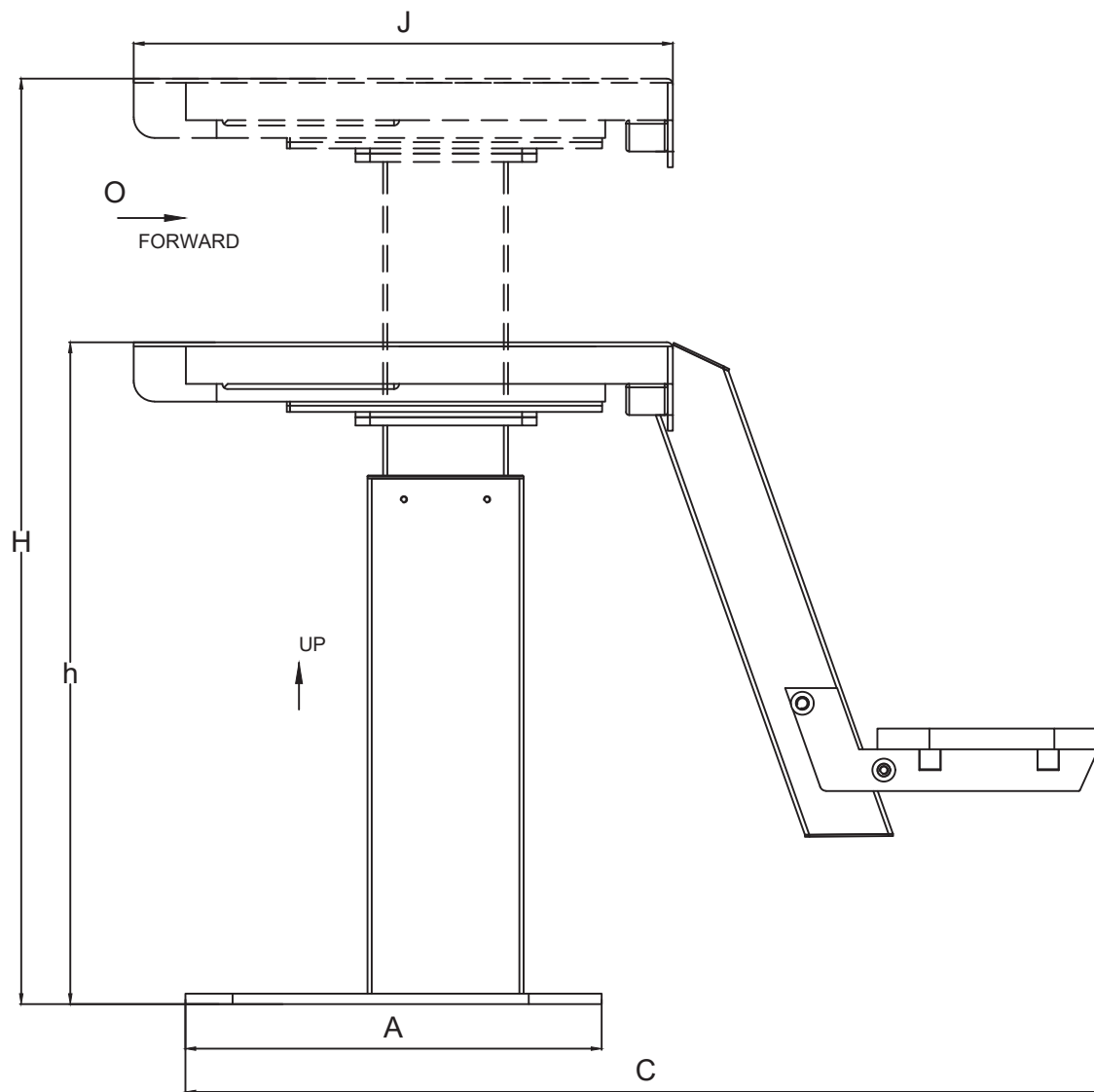
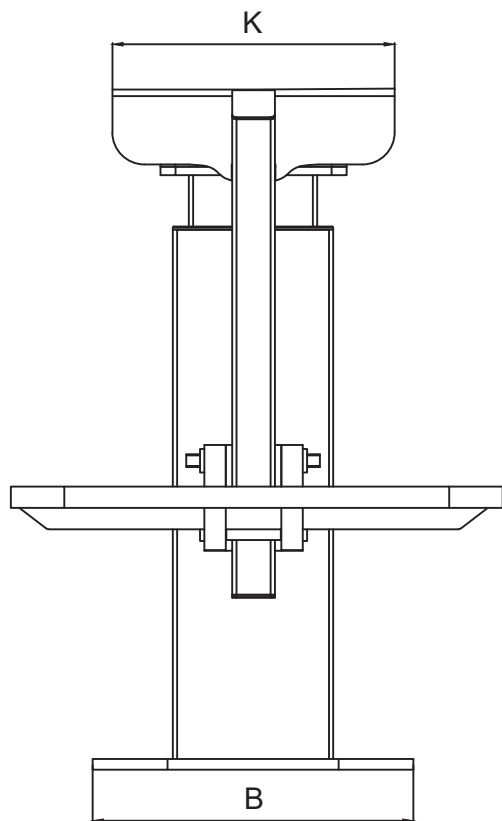


A (mm)	400
B (mm)	300
K (mm)	264
J (mm)	518
h (mm)	630
H (mm)	880
C (mm)	885
O (mm)	160
Weight (Kg)	17



Product
S 418

Electric Helm Seat Pedestal