



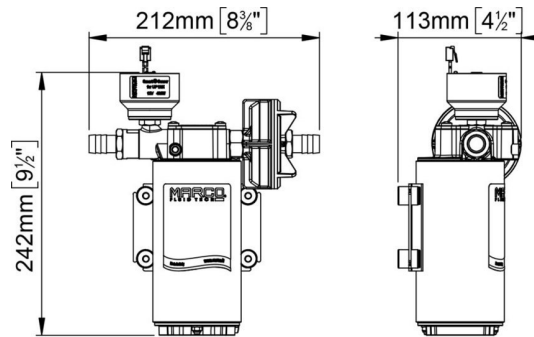
UP12/E-LO Electronic pump for viscous liquids, PTFE gears



Quick Overview

Self-priming automatic electric pump with helical PTFE gears, integrated check valve and electronic control. Nickel-plated brass body and stainless steel shaft. Main applications: transfer of high viscosity water-based liquids

Part n.	Name	Voltage (V)	Consumption (A)	Fuse (A)	Self-priming (m)	Pressure (bar)	Flow rate (l/min)	Ports (BSP)	Hose (mm)	IP Protection	Motor power (W)	Weight (kg)
16468715	UP12/E-LO	12/24	14 / 7	25	3	2,5	26	1/2"	16	67	360	4,9



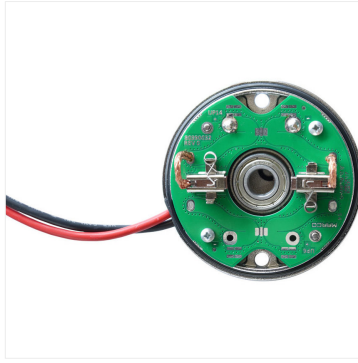
H 242 x L 212 x W 113
H 9 1/2" x L 8 3/8" x W 4 1/2"



R6400015



R6400099



R6400078



R6400103



R6400088



R6400094



ATX2 Stainless steel accumulator tank 2 l with 1/2" T-nipple



PCS 12/24V Control panel for electronic pumps



RJ11 Black cable with coupler for SCS / PCS



SCS 12/24V Speed control system for electronic pumps