



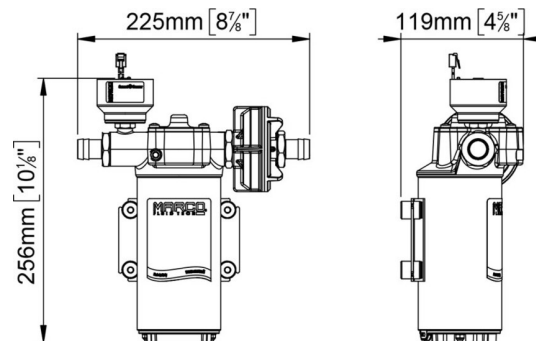
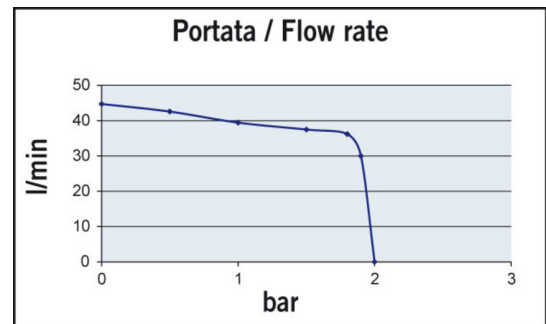
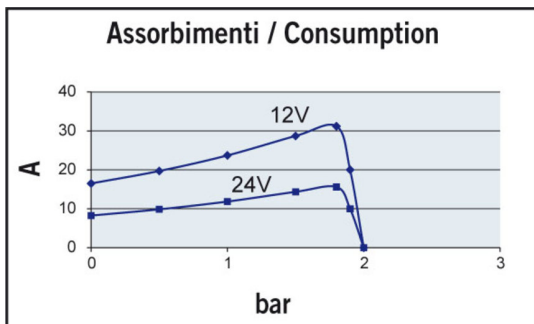
## UP14/E Electronic water pressure pump 46 l/min



### Quick Overview

Self-priming automatic electric pump with helical PTFE gears, integrated check valve and electronic control. Nickel-plated brass body and stainless steel shaft. Main applications: fresh water pressure systems and shower kits on boats, rubber dinghies, sailing boats and campers. PCS control panel included.

Part n.	Name	Voltage (V)	Consumption (A)	Fuse (A)	Self-priming (m)	Pressure (bar)	Flow rate (l/min)	Ports (BSP)	Hose (mm)	IP Protection	Motor power (W)	Weight (kg)
16469013	UP14/E	24	9	15	3	3,5	46	3/4"	19	67	400	5,2
16469015	UP14/E	12/24	18 / 9	30	3	2,5	46	3/4"	19	67	400	5,2



H 256 x L 225 x W 119  
H 10 1/8" x L 8 7/8" x W 4 5/8"



R6400015



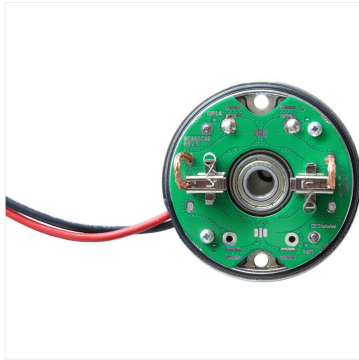
R6400083



R6400076



R6400084



R6400078



R6400094



R6400082



R6400105



**AT1 Accumulator tank, 2 l , white**

**SCS 12/24V Speed control system for electronic pumps**

**AT2 Accumulator tank, 5 l , white**

**ATX2 Stainless steel accumulator tank 2 l with 1/2" T-nipple**



**RJ11 Black cable with coupler for SCS / PCS**