



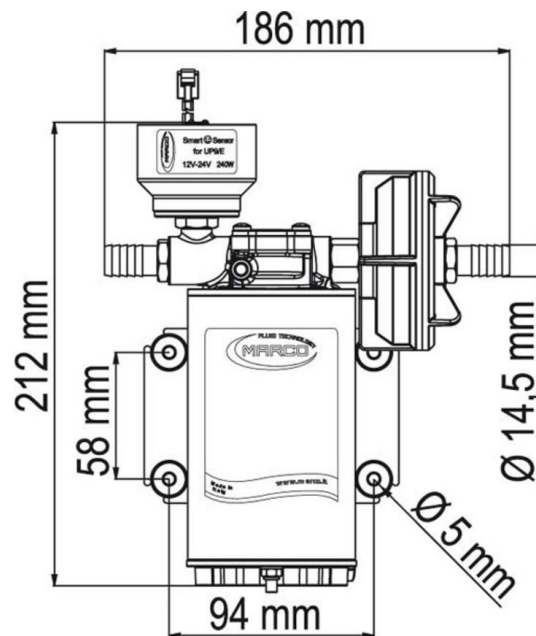
## UP9/E Electronic water pressure system 12 l/min



### Quick Overview

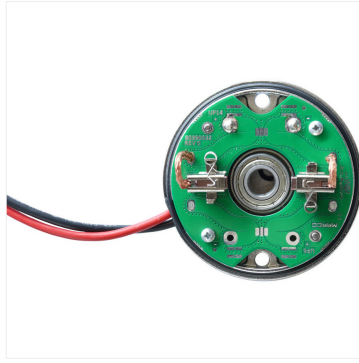
Self-priming automatic electric pump with helical PTFE gears, integrated check valve and electronic control. Nickel-plated brass body and stainless steel shaft. Main applications: fresh water pressure systems and shower kits, campers.

Part n.	Name	Voltage (V)	Consumption (A)	Fuse (A)	Self-priming (m)	Pressure (bar)	Flow rate (l/min)	Ports (BSP)	Hose (mm)	IP Protection	Motor power (W)	Weight (kg)
16464215	UP9/E	12/24	5 / 2,5	15	1,5	4,5	12	3/8"	13	67	180	3,3





R6400013



R6400078



R6400015



R6400094



R6400026



R6400108



R6400069



R6400109



**ATX1** Stainless steel accumulator tank 0,5 l with 3/8" T-nipple



**SCS 12/24V** Speed control system for electronic pumps



**DHK1** Deck Hose Kit - 15 m retractable hose+ 3/4" conn. spray gun, quick conn.



**PCS 12/24V** Control panel for electronic pumps



**RJ11** Black cable with coupler for SCS / PCS