



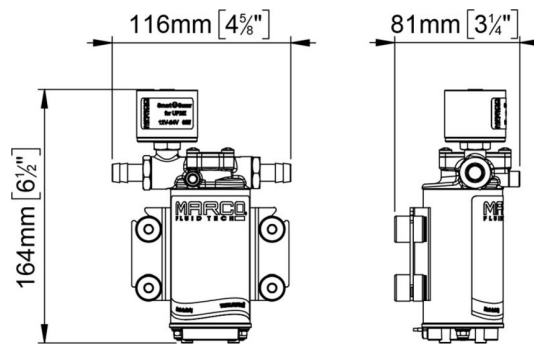
UP2/E Electronic water pressure system 10 l/min



Quick Overview

Self-priming automatic electric pump with helical PTFE gears, integrated check valve and electronic control. Nickel-plated brass body and stainless steel shaft. Main applications: fresh water pressure systems and shower kits on boats, rubber dinghies, sailing boats and campers.

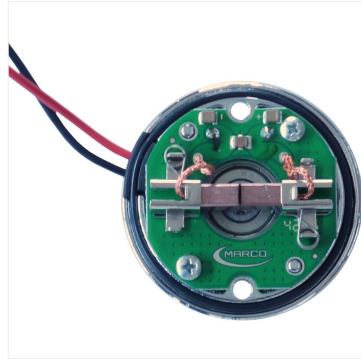
Part n.	Name	Voltage (V)	Consumption (A)	Fuse (A)	Self-priming (m)	Pressure (bar)	Flow rate (l/min)	Ports (BSP)	Hose (mm)	IP Protection	Motor power (W)	Weight (kg)
16466015	UP2/E	12/24	3 / 1,5	7,5	1,5	2	10	3/8"	12	67	90	1,3



H 164 x L 116 x W 81
H 6 1/2" x L 4 5/8" x W 3 1/4"



R6400015



R6400081



R6400029



R6400095



R6400033



R6400065



AT1 Accumulator tank, 2 l , white

AT2 Accumulator tank, 5 l , white

ATX1 Stainless steel accumulator tank 0,5 l with 3/8" T-nipple

IS14 In-line filter 3/8"