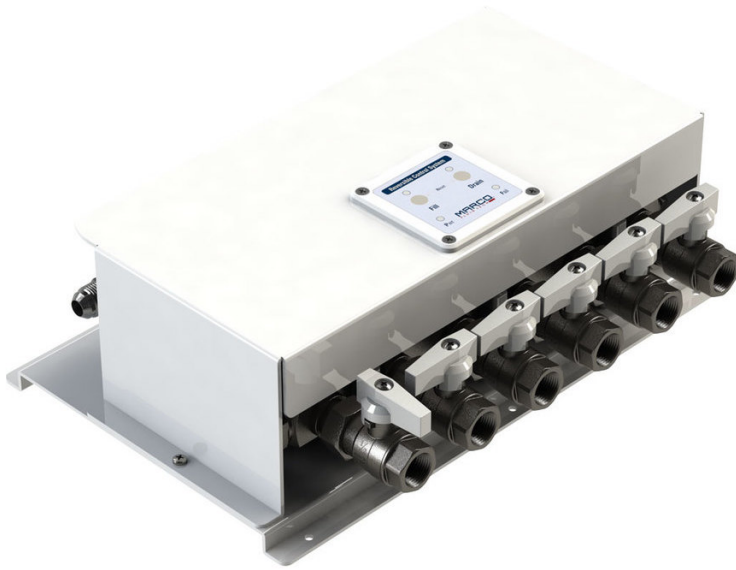




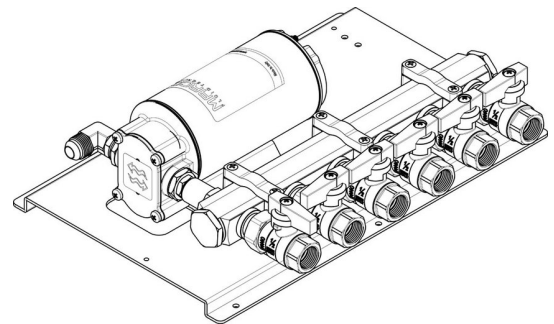
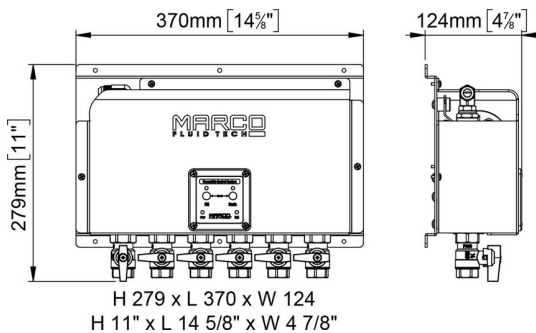
## OCS6/E Electronic Oil Change System - 6 BSP Valves



### Quick Overview

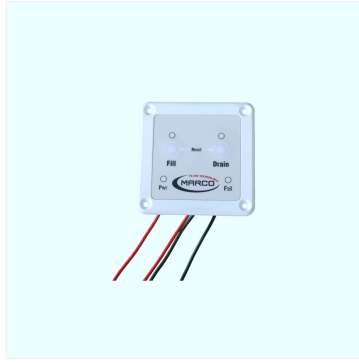
Compact oil change electronic systems for fixed boat installations. Conceived for oil fill and drain operations for all on-board uses like generators, engines, transmissions and catwalks. Their electronic control adjusts the speed of the pump according to oil viscosity/temperature and increases its speed during priming. The system automatically shuts off in case of empty tank, short circuit and after 30 minutes of operation. OCS are indicated for a perfect cleaning of all on-board areas while avoiding leaks and dispersions on the boat floor. Easy to operate and carry.

Part n.	Name	Voltage (V)	Consumption (A)	Fuse (A)	Self-priming (m)	Pressure (bar)	Flow rate (l/min)	Ports (BSP)	Motor power (W)	Weight (kg)
16492615	OCS6-E	12/24	5 / 2,5	10	1,5	2	Max 15 (Diesel)	1/2"	180	8





**R6400094**



**R6400070**