



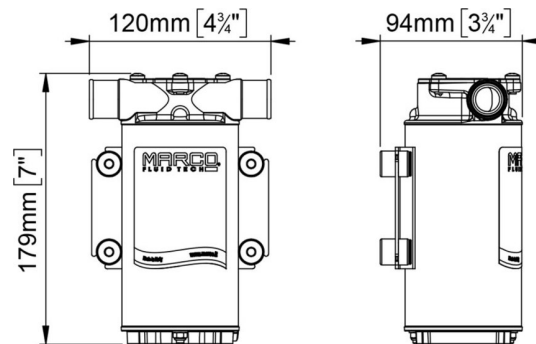
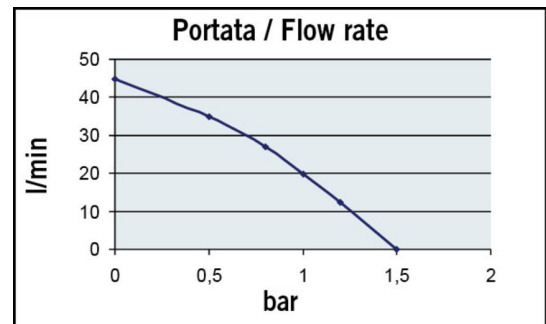
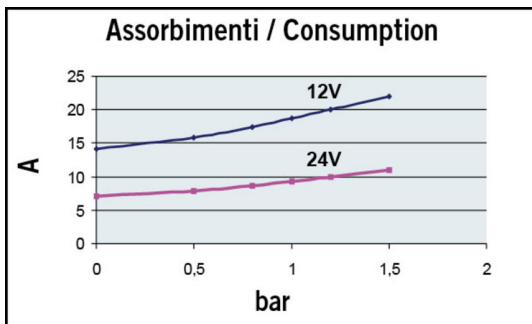
UP1-B 12V Ballast pump with rubber impeller 45 l/min



Quick Overview

Self-priming electric water pumps with self-lubricating flexible impeller for prolonged service life and better performance. Nickel-plated brass body with stainless steel shaft.

Part n.	Name	Voltage (V)	Consumption (A)	Fuse (A)	Self-priming (m)	Pressure (bar)	Flow rate (l/min)	Ports (BSP)	Hose (mm)	IP Protection	Motor power (W)	Weight (kg)
16200312	UP1-B	12	14	20	1,5	1,5	45	1/2"	25	67	180	2,9
16200313	UP1-B	24	7	15	1,5	1,5	45	1/2"	25	67	180	2,9



H 179 x L 120 x W 94
H 7" x L 4 3/4" x W 3 3/4"



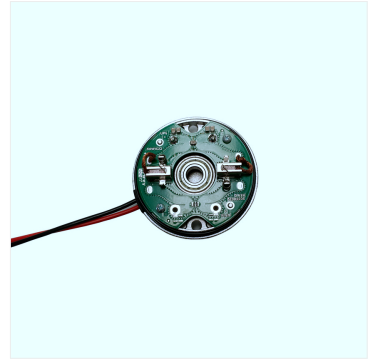
R6400094



R6400005



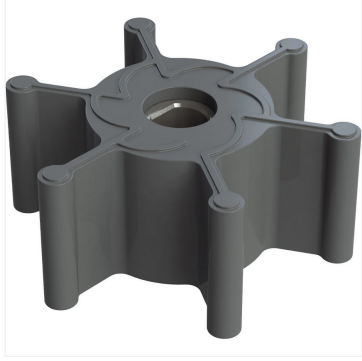
R6400099



R6400009



R6400015



**IMP1 NBR Rubber Impeller for
UP1/M/AC**