



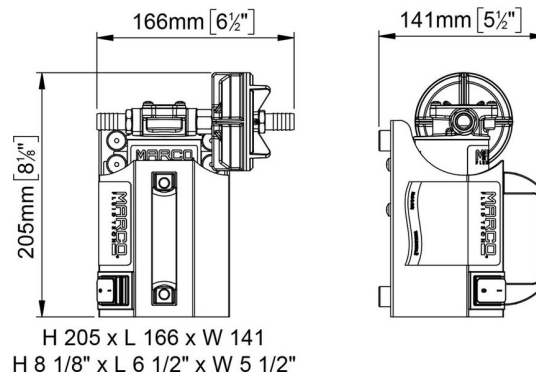
UP3-CK Portable gear pump kit 15 l/min



Quick Overview

Self-priming electric pump with bronze gears for diesel transfer. Featuring a new case with handle for improved protection and easy transport. Completed by On/Off switch, cable with integrated fuse and battery clips.

Part n.	Name	Voltage (V)	Consumption (A)	Fuse (A)	Self-priming (m)	Pressure (bar)	Flow rate (l/min)	Ports (BSP)	Hose (mm)	Motor power (W)	Weight (kg)
16400612	UP3/CK	12	6	10	1,5	2	15	3/8"	13	120	2,8
16400613	UP3/CK	24	3	5	1,5	2	15	3/8"	13	120	2,8



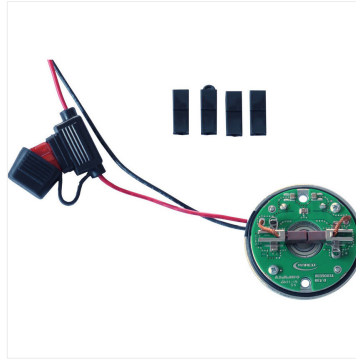
Ricambi



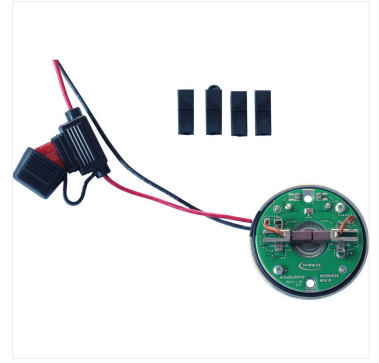
R6400093



R6400001

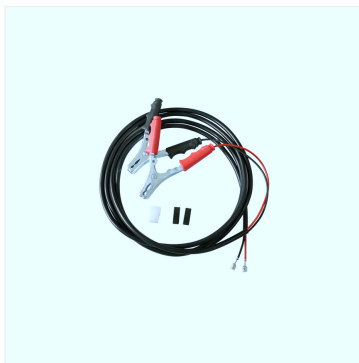


R6400073



R6400074

Accessori



Kit of cables and battery clips