



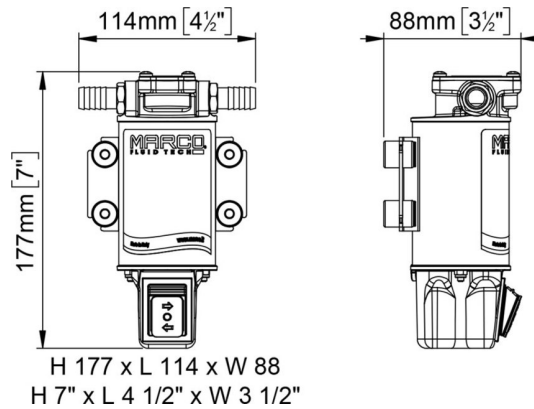
UP3-R Gear pump 15 l/min with integr. reversible switch



Quick Overview

Professional range of self-priming electric 12V and 24V pumps for the refueling and transfer of water, oil and diesel with ON/OFF switch integrated into the water-proof cap. The -R versions are fitted with a 3 positions switch for the inversion of flow direction.

Part n.	Name	Voltage (V)	Consumption (A)	Fuse (A)	Self-priming (m)	Pressure (bar)	Flow rate (l/min)	Ports (BSP)	Hose (mm)	IP Protection	Motor power (W)	Weight (kg)
16400812	UP3-R	12	6	10	1,5	2	15	3/8"	13	65	120	1,8
16400813	UP3-R	24	3	5	1,5	2	15	3/8"	13	65	120	1,8





R6400107



R6400001



R6400108



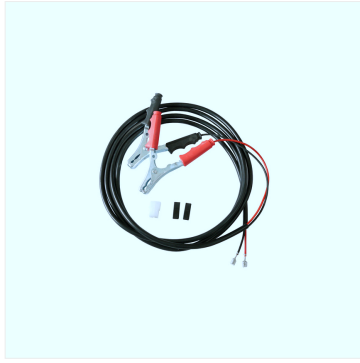
R6400015



R6400109



R6400093



Kit of cables and battery clips