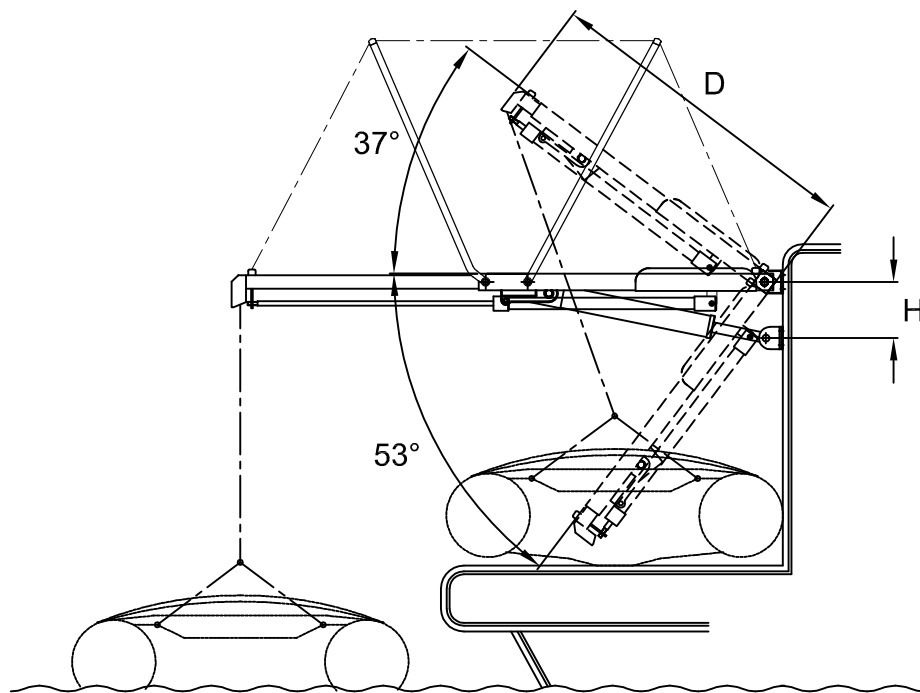
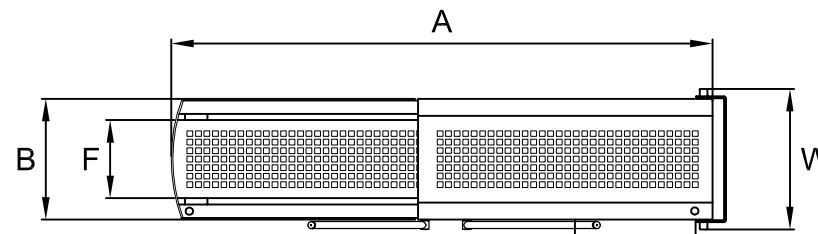


Lifting capacity (Kg)	110
A (mm)	1930
B (mm)	430
D (mm)	1150
F (mm)	278
H (mm)	200
W (mm)	500
Weight (Kg)	65



Product

PI 369.193 SMART

Hydraulic External Passerelle