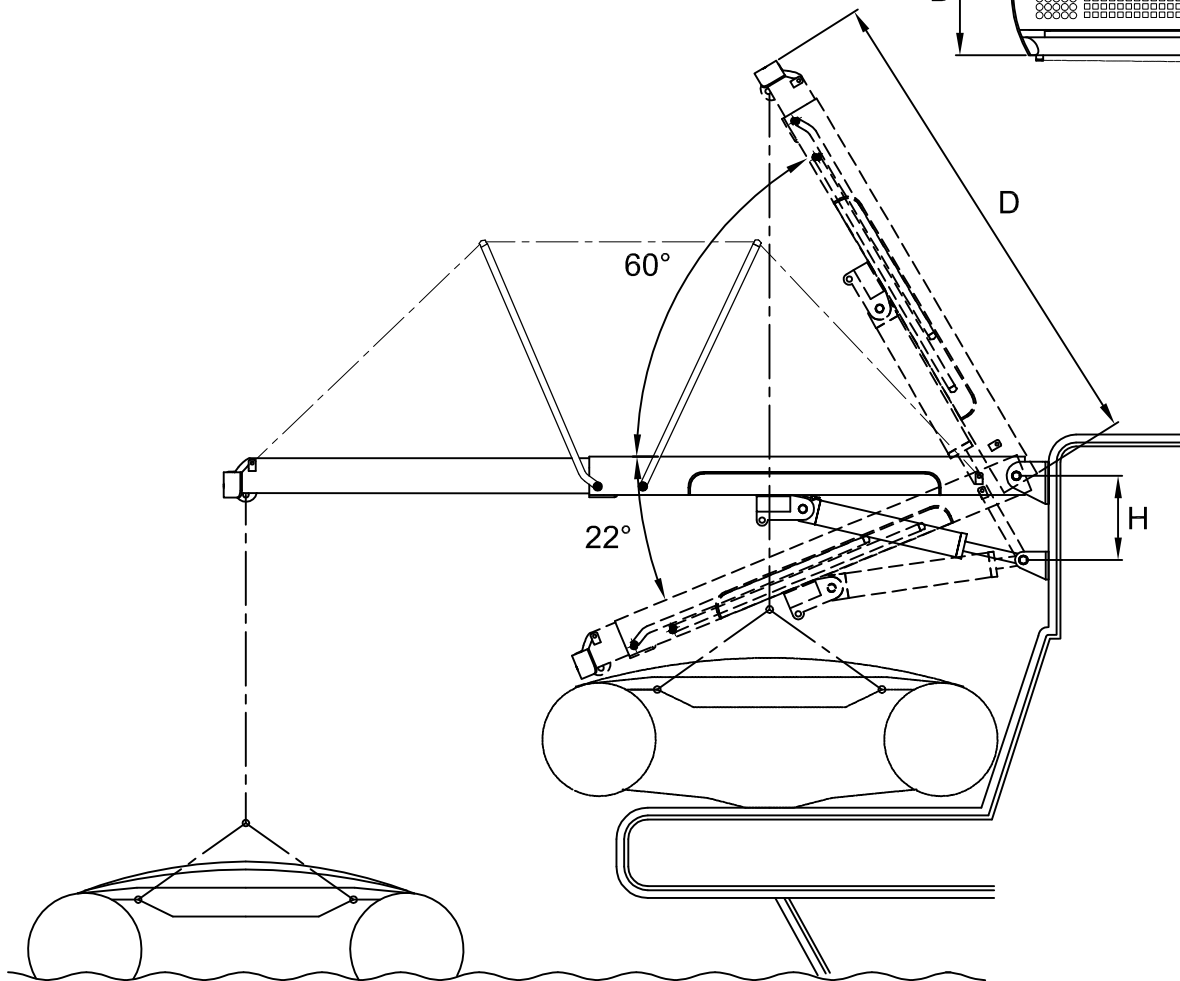
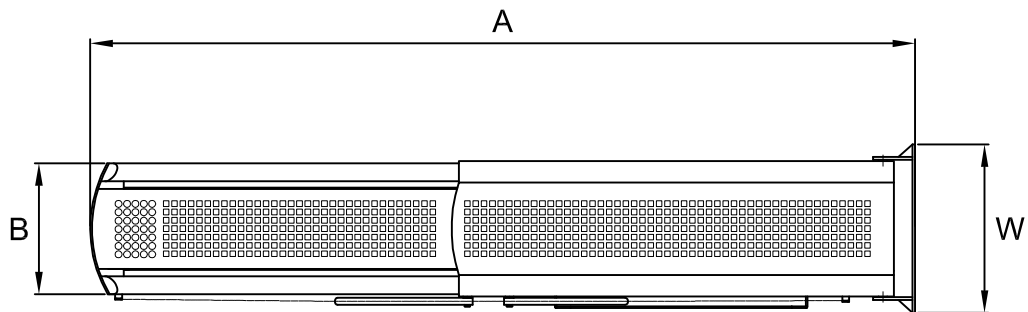


Lifting capacity (Kg)	450
A (mm)	2940
B (mm)	480
D (mm)	1740
H (mm)	350
W (mm)	600
Weight (Kg)	190



Product

PI 482.290

Hydraulic External Passerelle