



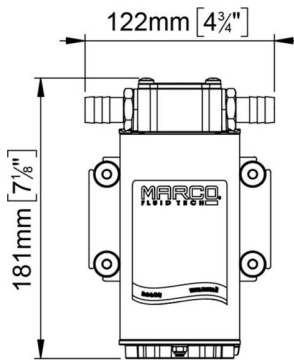
## UP6-RK Reversible pump kit 26 l/min with panel



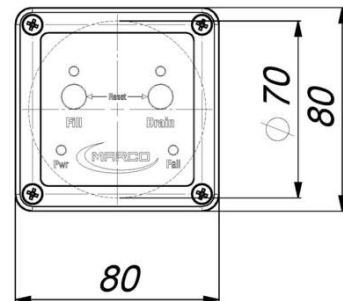
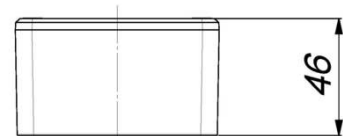
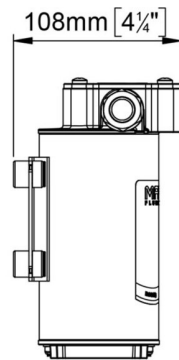
### Quick Overview

Electronically controlled pumps for oil and diesel filling and draining operations. The touchpad electronic sensor adjusts the speed of the motor according to the liquid viscosity and temperature. Compact design. Fits in any engine room. Automatic shut-off in case of empty tank, short circuit and after 30 minutes of operation. Fittings with 1 or 2 valves available.

Part n.	Name	Voltage (V)	Consumption (A)	Fuse (A)	Self-priming (m)	Pressure (bar)	Flow rate (l/min)	Ports (BSP)	Hose (mm)	IP Protection	Motor power (W)	Weight (kg)
16406415	UP6-RK	12/24	10 / 5	10	2	2	26	1/2"	16	65	180	3,6



H 181 x L 122 x W 108  
H 7 1/8" x L 4 3/4" x W 4 1/4"





R6400099



R6400002



R6400103



R6400087



R6400094