



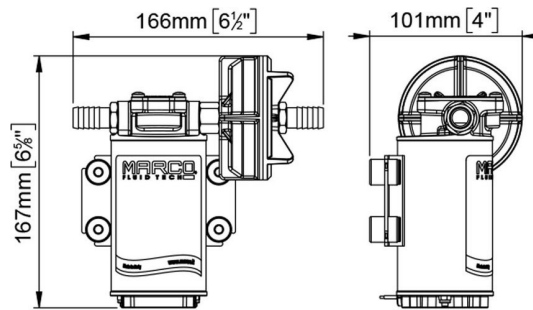
UP8-P Heavy duty pump, PTFE gears, 10 l/min



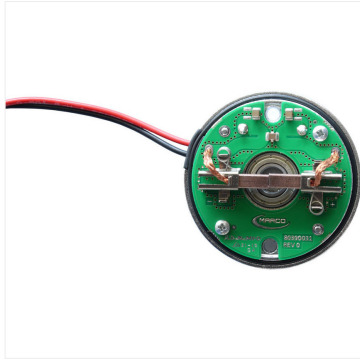
Quick Overview

Self-priming electric pumps with PTFE gears, complete with in-line filter. Nickel-plated brass body with stainless steel shaft. Main applications: transfer of water and liquid additives for engines.

Part n.	Name	Voltage (V)	Consumption (A)	Fuse (A)	Self-priming (m)	Pressure (bar)	Flow rate (l/min)	Ports (BSP)	Hose (mm)	IP Protection	Motor power (W)	Weight (kg)
16409112	UP8-P	12	4	10	1,5	4	10	3/8"	13	67	150	1,8
16409113	UP8-P	24	2	5	1,5	4	10	3/8"	13	67	150	1,8



H 167 x L 166 x W 101 mm
H 6 5/8" x L 6 1/2" x W 4"



R6400045



R6400013



R6400093



R6400015



R6400108



R6400026



R6400109