

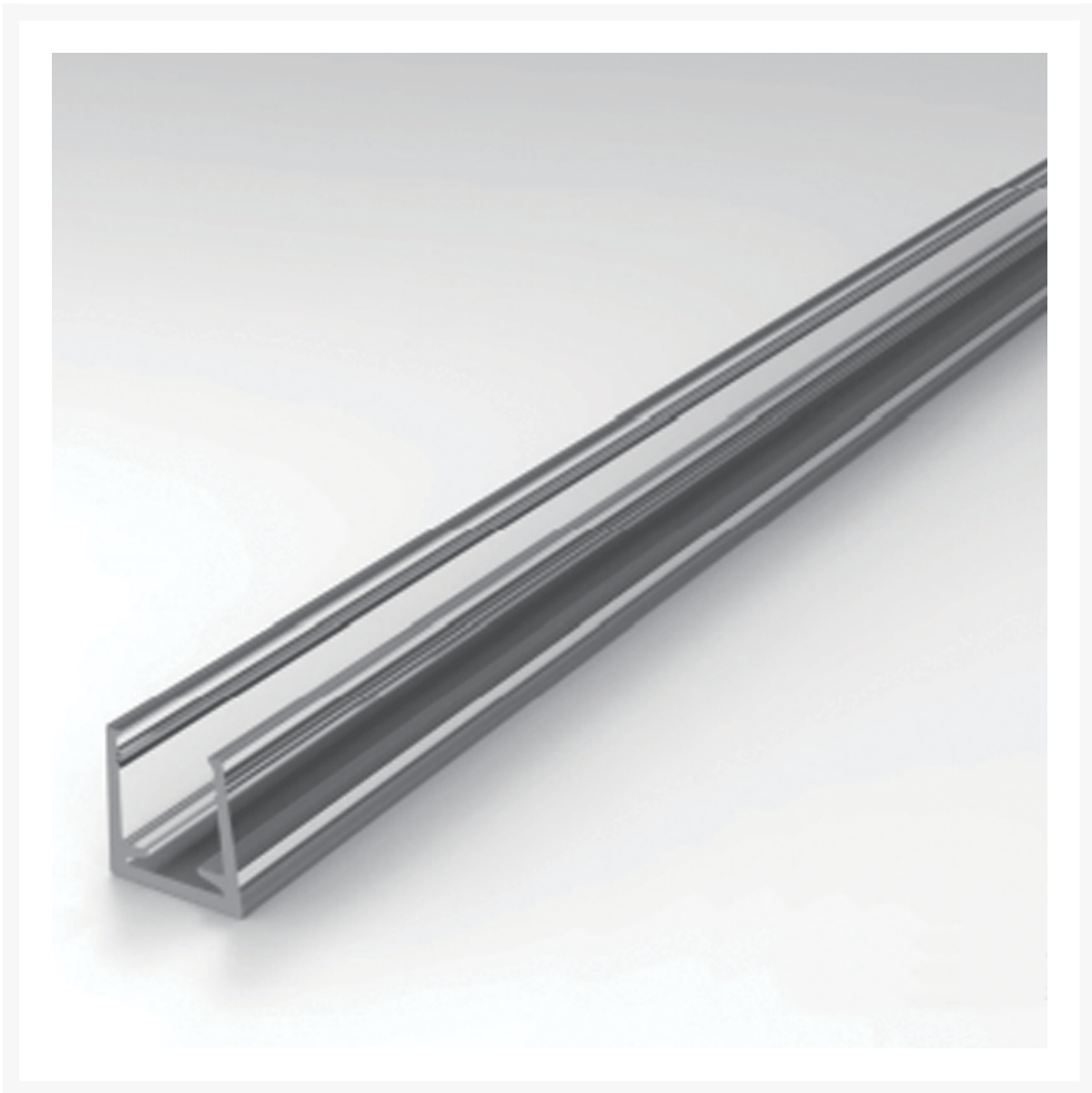


Transparent Plastic Mounting Extrusion For PVC Neon Flex - Top View

£11.39

Excl. Tax: £9.49

Product Images

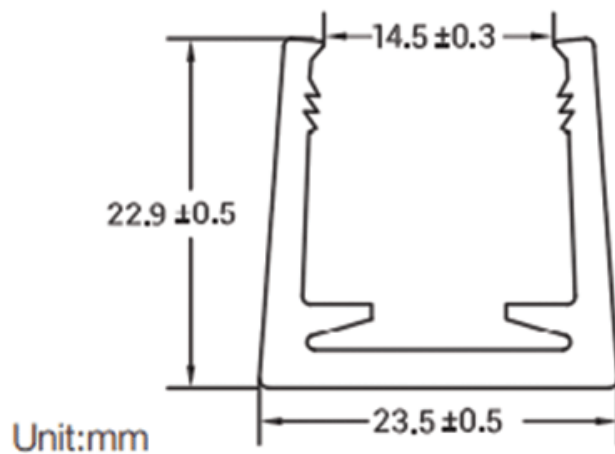


Short Description

Self-locking transparent mounting channel for use with PVC top view neon flexible strip light (single colour, CCT and RGBW).

- Extrusion is available in 1m lengths only
- Ideal for straight runs of strip lighting either underwater, in swimming pools or in environments where anodised aluminium is not suitable

Description



Additional Information

Weight (kg)	0.020000
Finish	Transparent Plastic

