

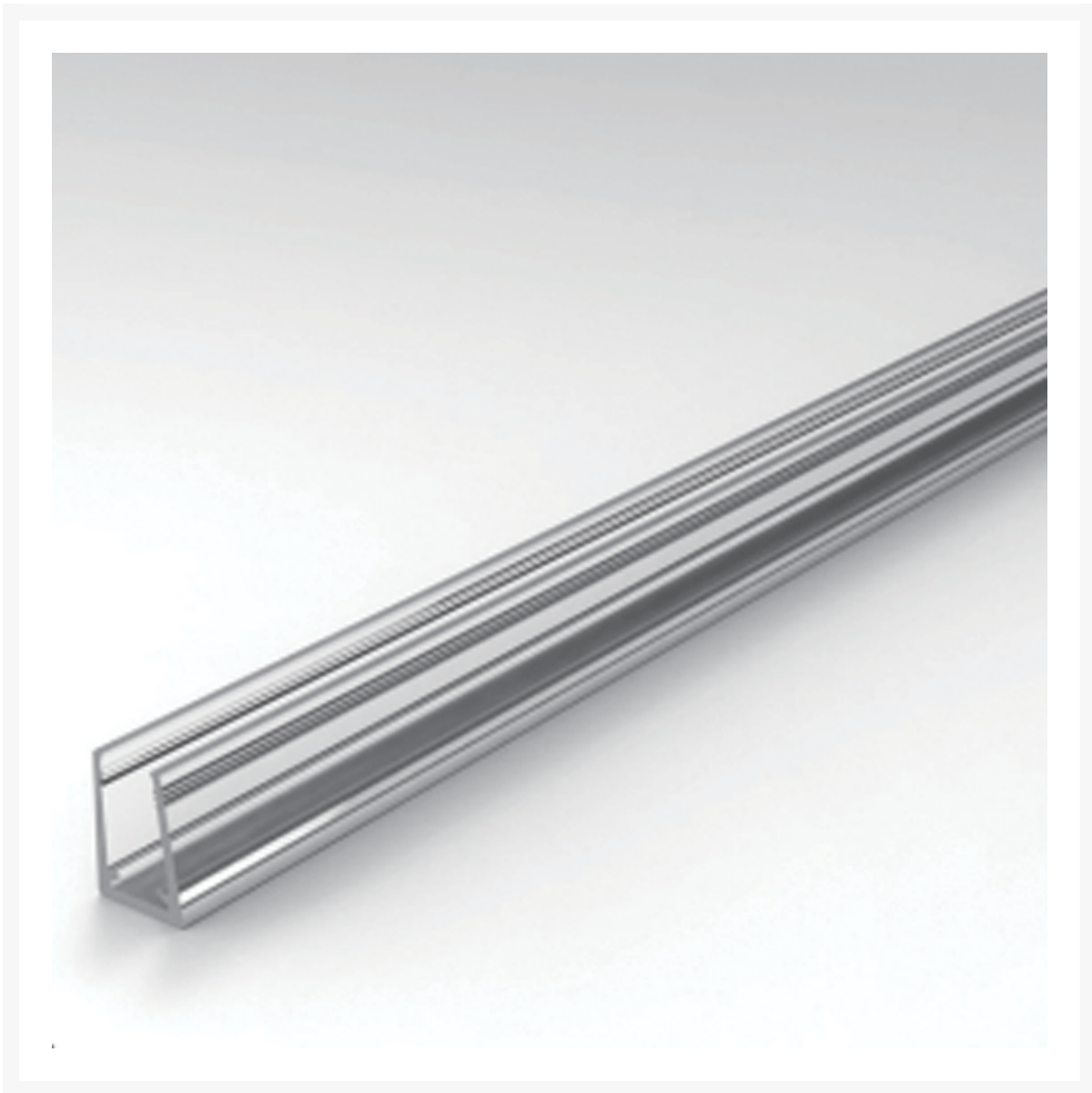


Transparent Plastic Mounting Extrusion For PVC Neon Flex - Side View

£8.80

Excl. Tax: £7.33

Product Images

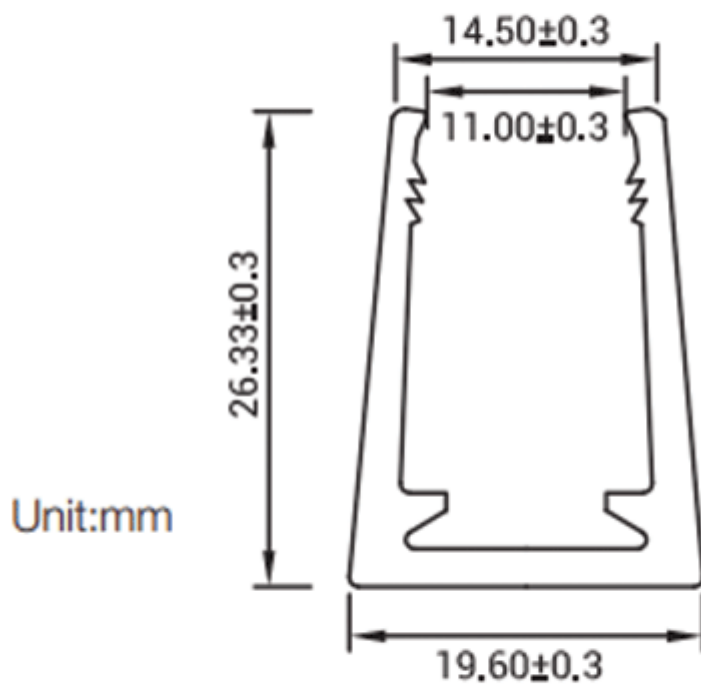


Short Description

Self-locking transparent mounting channel for use with PVC side view neon flexible strip light (single colour, CCT and RGBW).

- Extrusion is available in 1m lengths only
- Ideal for straight runs of strip lighting either underwater, in swimming pools or in environments where anodised aluminium is not suitable

Description



Weight (kg)

0.020000

Finish

Transparent Plastic



Additional Information