



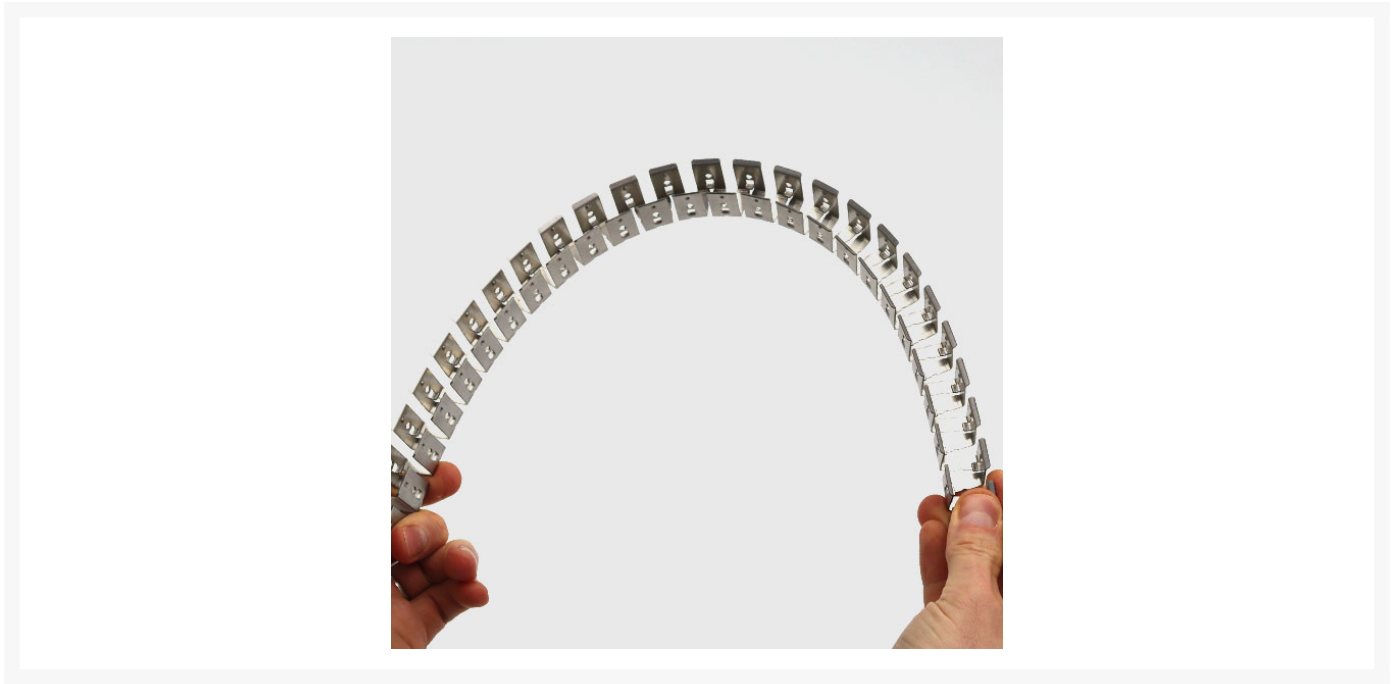
Flexible Stainless Steel Mounting Extrusion For PVC Neon Flex - Side View

£22.08

Excl. Tax: £18.40

Product Images



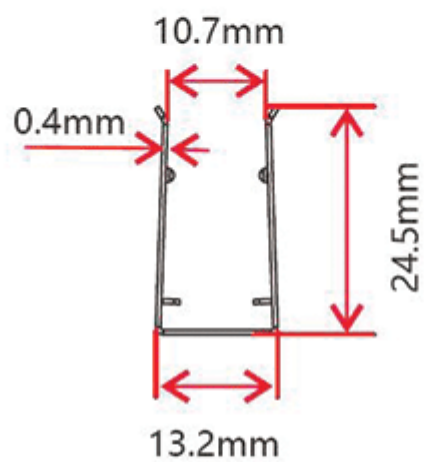


Short Description

Self-locking flexible mounting channel for use with PVC side view neon flexible strip light (single colour, CCT and RGBW). This flexible mounting channel is made from marine-grade (316) stainless steel.

- Extrusion is available in 1m lengths only
- Ideal for curved runs of strip lighting either underwater, where a strong fixing is required along the entire length of the strip or in environments where anodised aluminium is not suitable

Description



This profile can be mounted using screws in any gaps where the channel bends.

Additional Information

Weight (kg)	0.300000
Finish	316 Stainless Steel

