



# Flexible Stainless Steel Mounting Extrusion For PVC Neon Flex - Top View

**£22.08**

Excl. Tax: £18.40

## Product Images



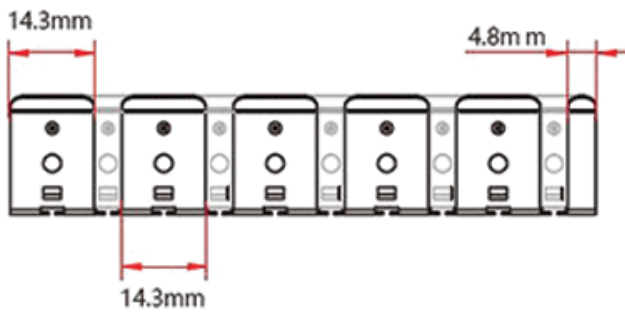
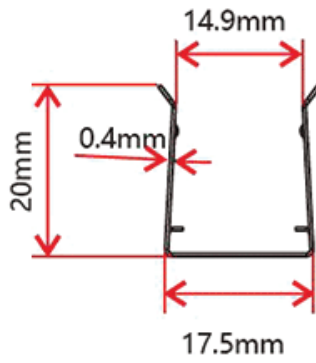
## Short Description

Self-locking flexible mounting channel for use with PVC side view neon flexible strip light (single colour, CCT and RGBW). This flexible mounting channel is made from marine-grade (316) stainless steel.

- Extrusion is available in 1m lengths only
- Ideal for curved runs of strip lighting either underwater, where a strong fixing is required along the entire length of the strip or in environments where anodised aluminium is not suitable

## Description

---



## Additional Information

---

Weight (kg)	0.300000
Finish	316 Stainless Steel

