



Stainless Steel Pad Eye

From

£28.04

Excl. Tax: £23.37

Product Images

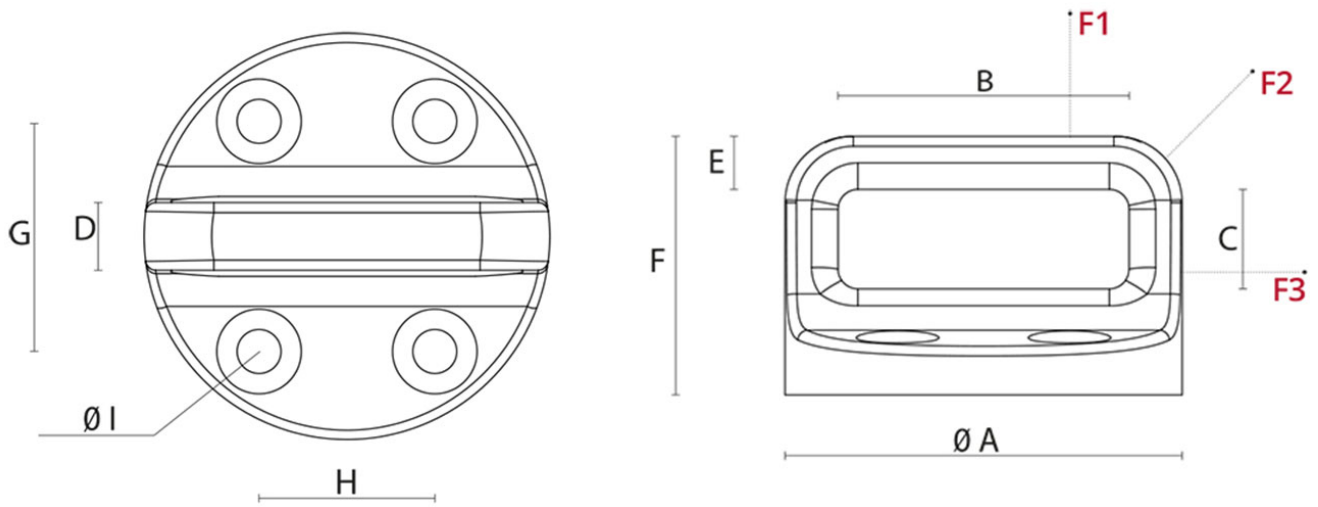


Short Description

A 316-grade stainless steel pad eye, available in three sizes with working loads from 2750kg - 6800kg. This pad eye is ideal for use as a secure tie down or even to lift a tender.

Fixings not included.

Description



Part Number	A	B	C	D	E	F	G	H	I
9550A00SS	60	44	15	10	8	38	26	37	4 x M6
9550B00SS	77	55	20	12	11	48.50	30	44	4 x M8
9550C00SS	95	68	27	13.50	13.50	60	40	54	4 x M10

	F1 (90°)		F2 (45°)		F3	
	Breaking Load (kg)	Working Load (kg)	Breaking Load (kg)	Working Load (kg)	Breaking Load (kg)	Working Load (kg)
9550A00SS	5500	2750	5400	2700	4500	2250
9550B00SS	7100	3550	9600	4800	7100	3550

9550C00SS	13600	6800	13500	6750	1300	6500
-----------	-------	------	-------	------	------	------

Additional Information

Finish	316 Stainless Steel
Manufacturer	Foresti & Suardi

Product Options

Diameter (mm):	60.00
	77.00
	95.00

