



35° Incline Electric Pedestal - Stainless Steel and Anodised Aluminium

From

£3,931.63

Excl. Tax: £3,276.36

Product Images



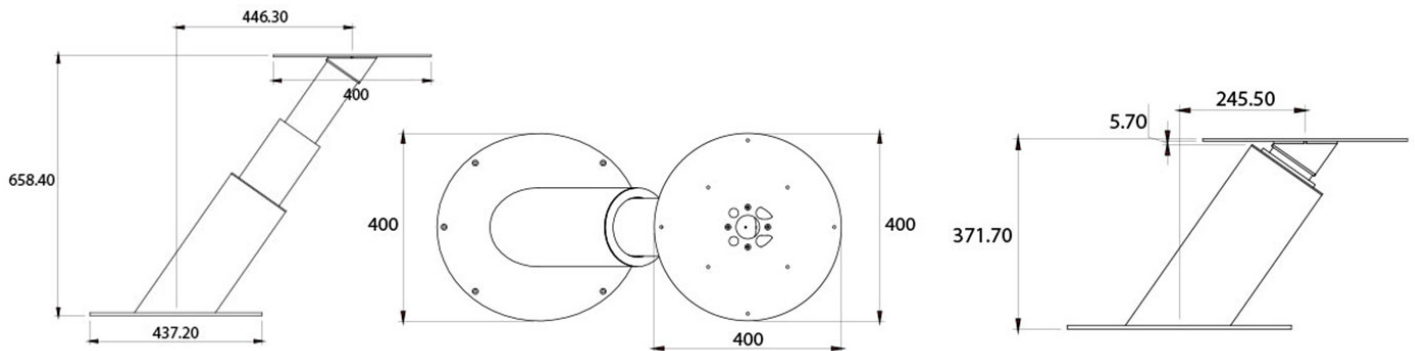
Short Description

A 35° inclined table pedestal. The first stage and base plate are made from 316-grade, polished, stainless steel. The second and third stages are finished in anodised aluminium.

Maximum height : 660 mm

Minimum height : 370 mm

Description



Additional Information

Top Plate (mm)	Ø400
Base (mm)	400 x 437.20
Max. Height (mm)	658.40
Min. Height (mm)	371.70
Manufacturer	Atep
Angle	35°
Weight (kg)	23.000000

Product Options

Input Voltage:

12Vdc

24Vdc

