



Boiler Tap

From

£439.07

Excl. Tax: £365.89

Product Images



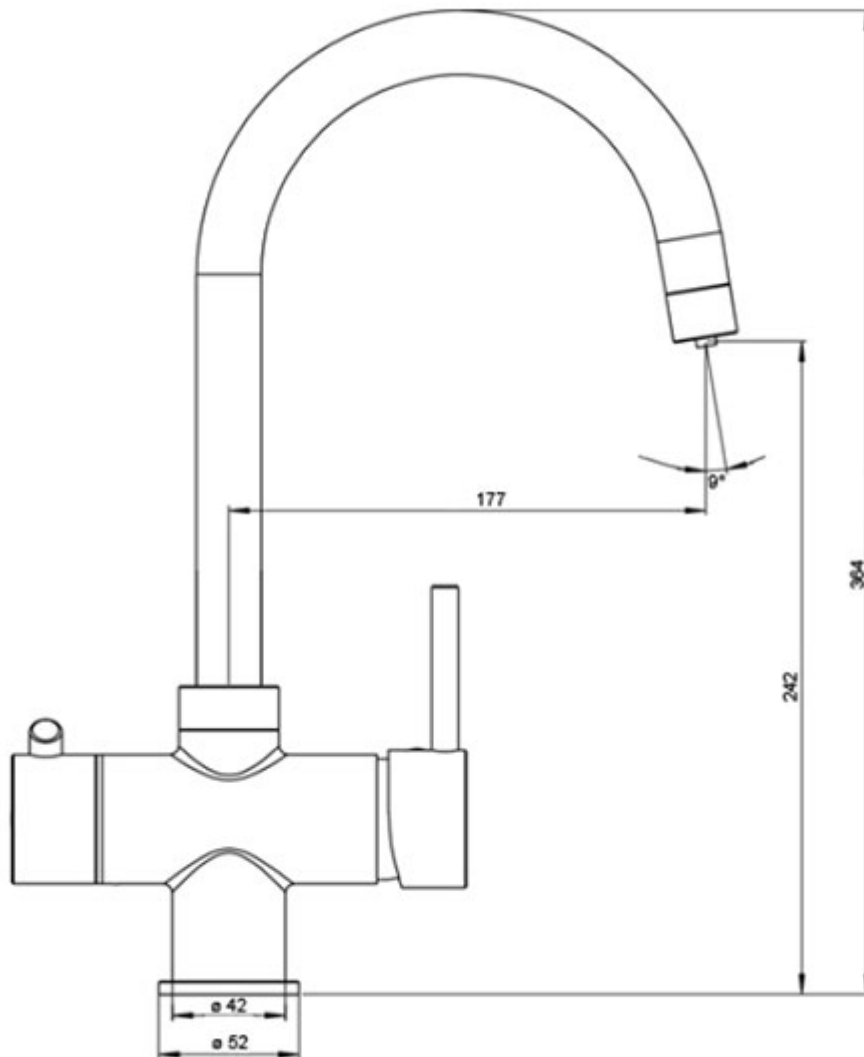
Short Description

The Boiler Tap is a 110V AC – 220V AC system which provides superb convenience to your galley or deck bar area. Alongside the normal hot/cold tap functions, there is a dedicated lever to safely provide instant super-hot water at 98°. A 2.4L [stainless steel tank](#) is recharged in 2-3 minutes by a 1,5 KW non-contact element.

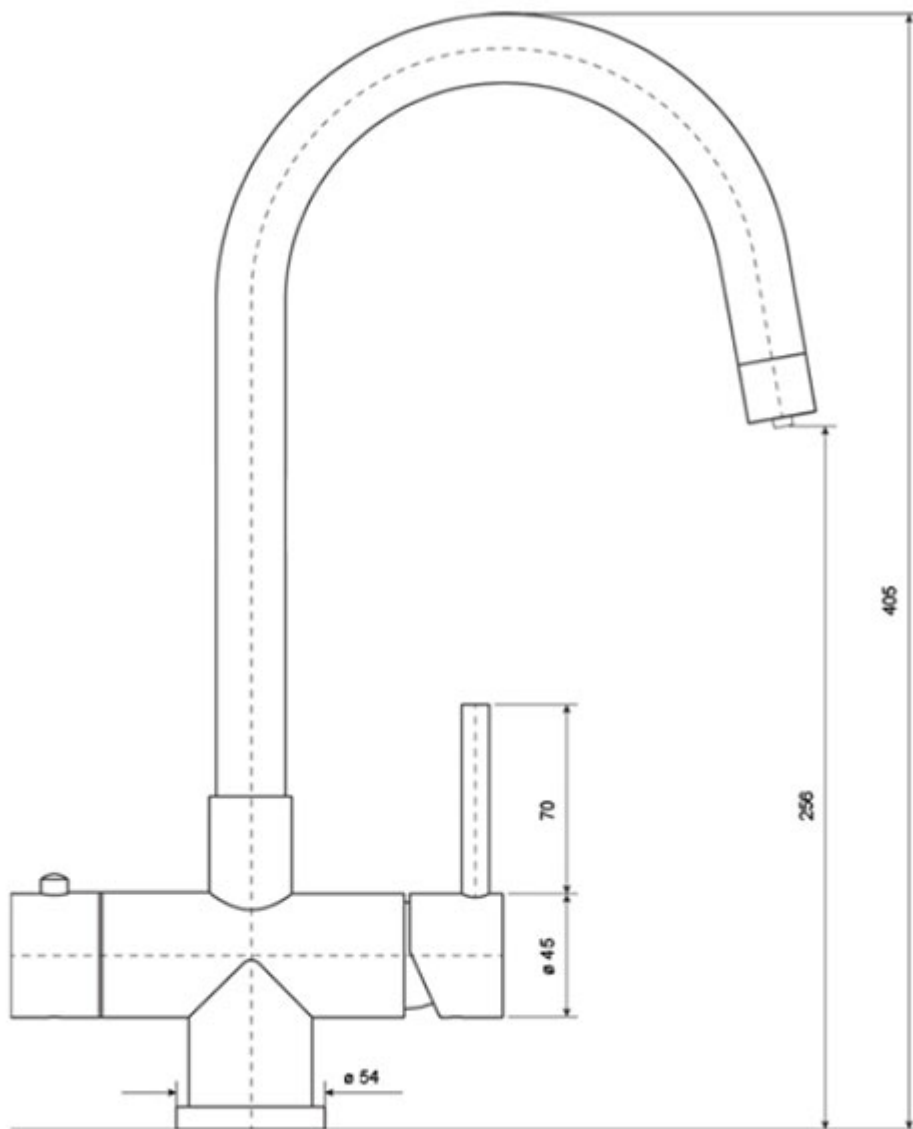
The boiler tap is available in two versions, each a different size, in chromed brass and 304 grade stainless steel.

Description

EL-400026BO Chrome Plated Brass Mixer/Boiler Tap

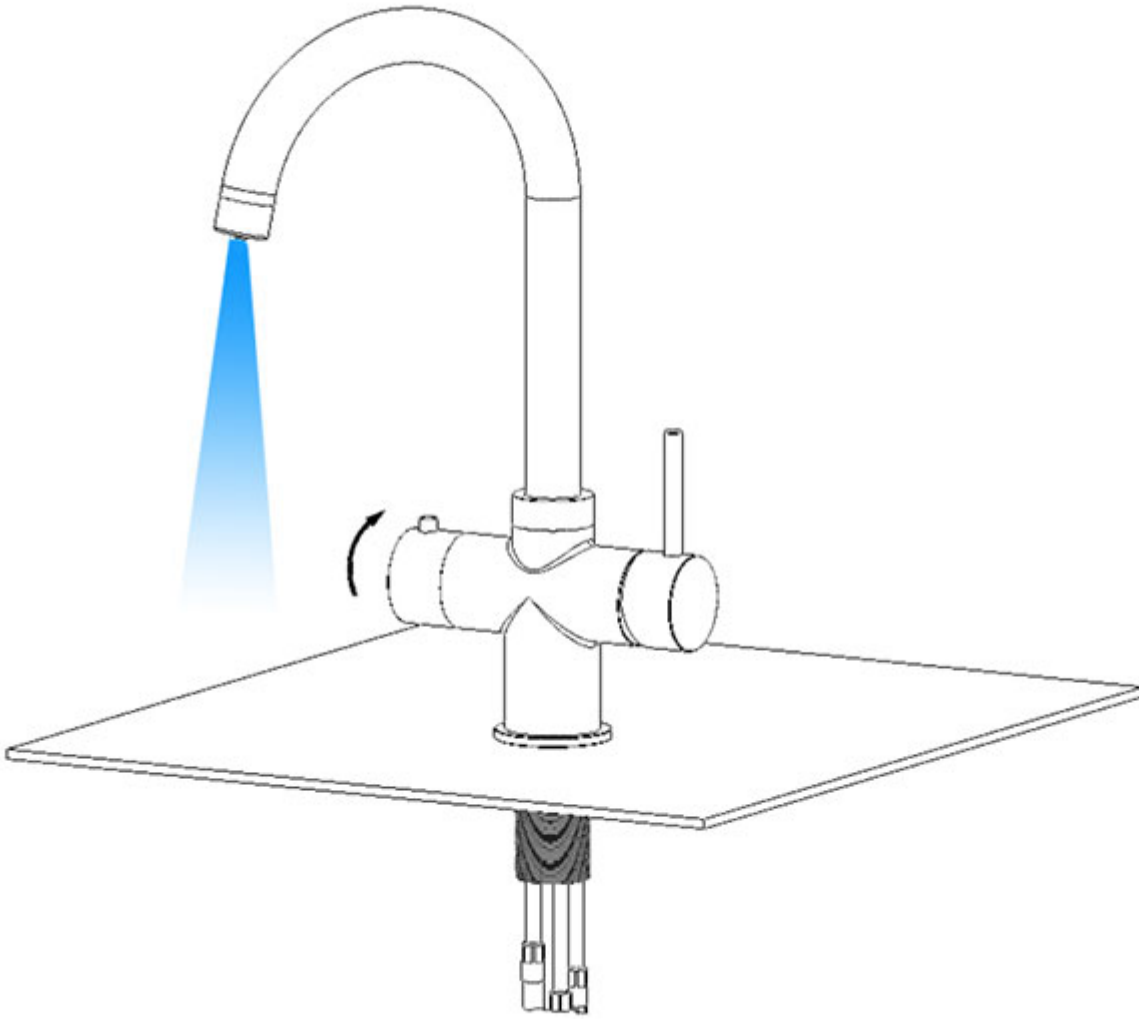


EL-400050BO Stainless Steel Mixer/Boiler Tap



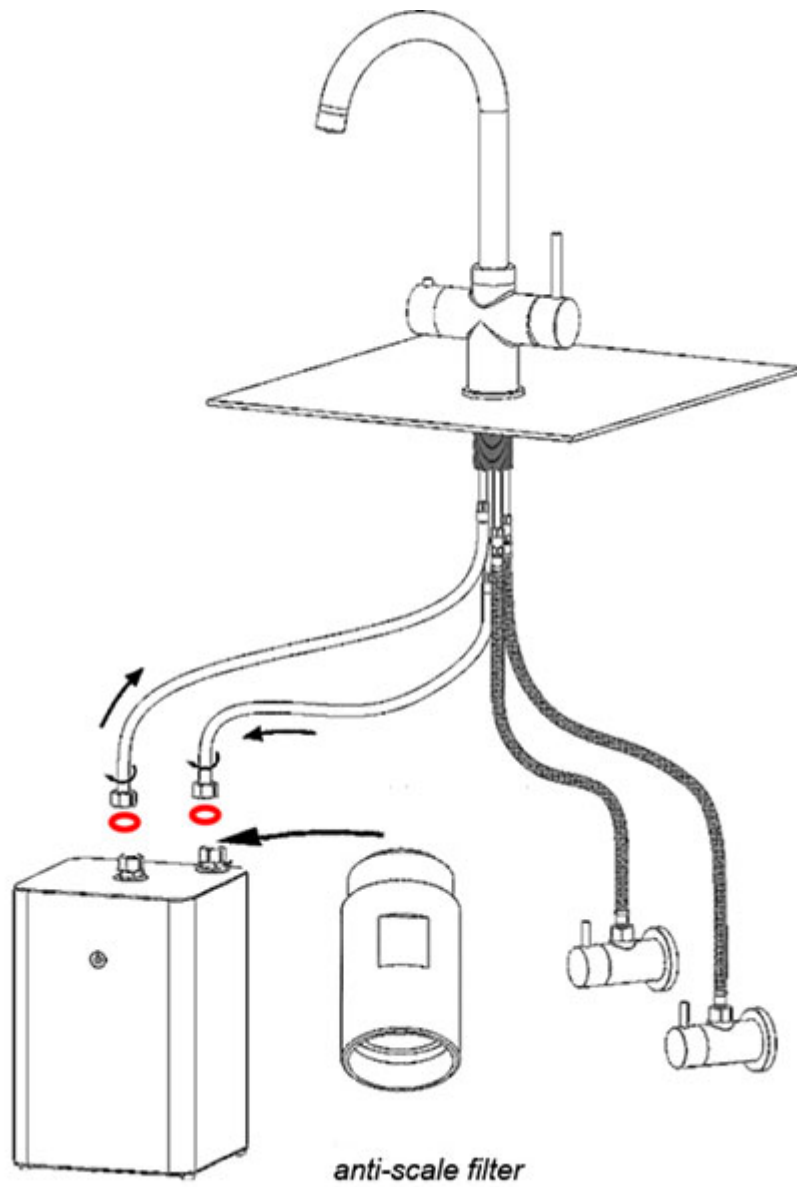
Instant Hot Water

The dedicated lever is turned for instant hot water and held for 90 seconds to fill the tank.



Simple Installation

The tap is fitted to the worksurface, the tank is nearby with simple connectors and a replacement filter.



Additional Information

Input Voltage	110-220Vac
Wall Mounted	No

Product Options

Finish:	Chrome
	304 Stainless Steel

