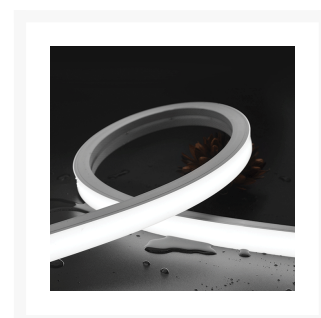
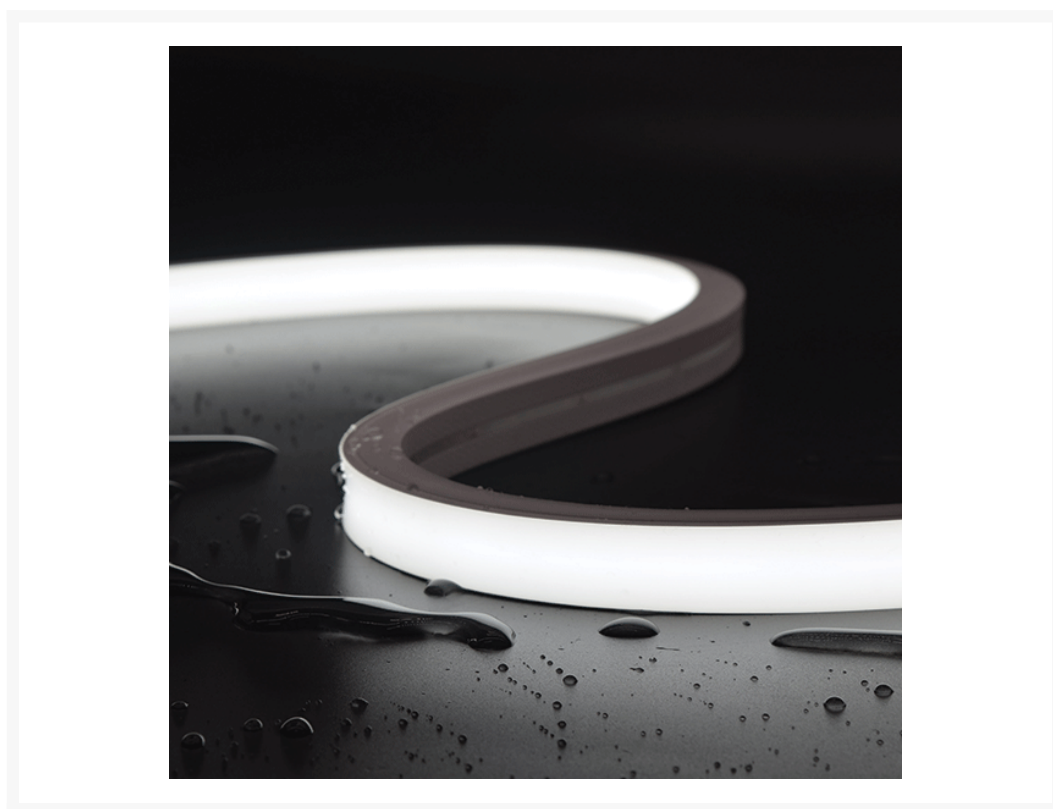




Silicone Flexible Neon LED Strip IP67 - Top View - 20X16 - Constant Voltage

Product Images



Short Description

Silicone flexible neon LED strip with constant voltage chip technology.

This LED neon is made from Dow Chemical SILASTIC™ ET-7021 silicone rubber which has excellent light transmitting characteristics and is very strong. The strip LED emits a seamless light with no dots or shadowing. It is also IP67 rated and resistant to salt, weak acid and alkali corrosion, corrosive gases and UV damage.

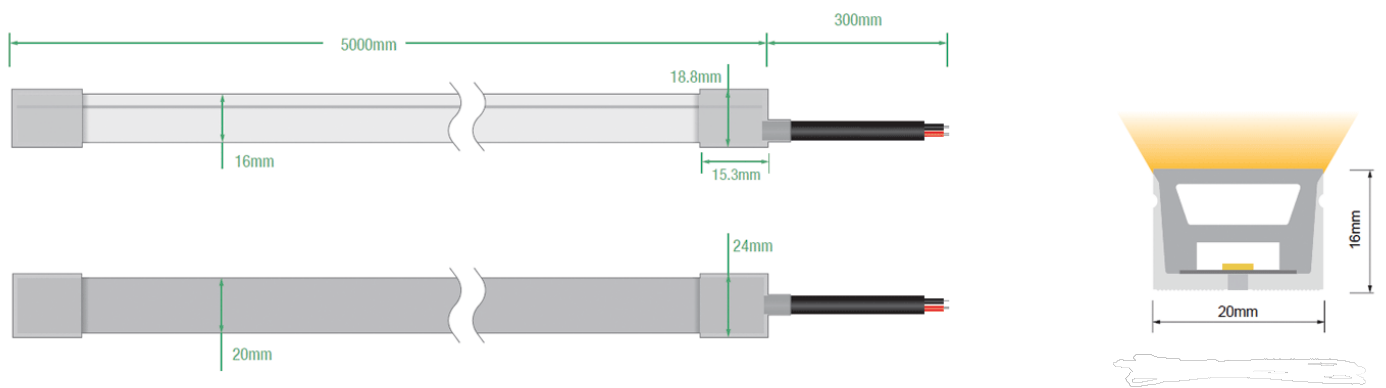
The strip can be ordered to custom lengths with factory fitted IP67 end connectors for a plug and play

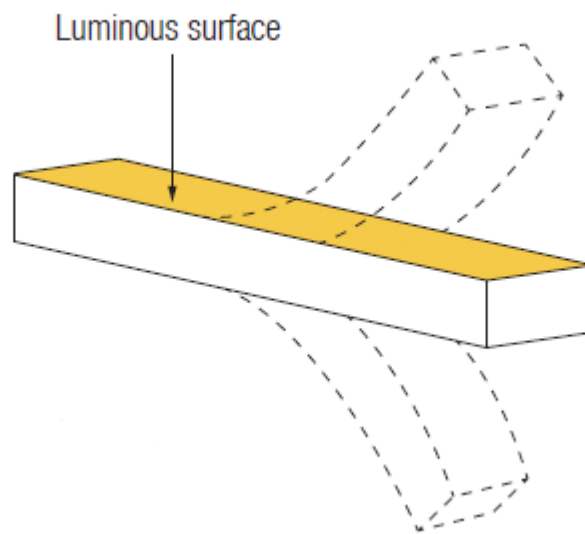
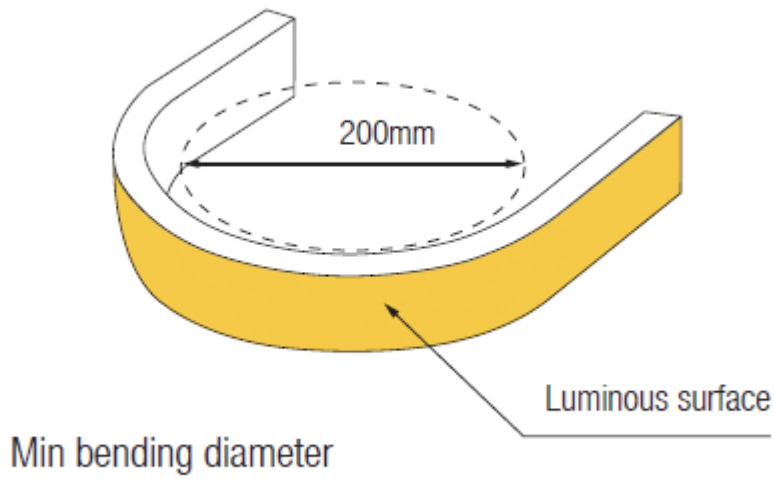
installation or alternatively can be supplied on a reel with DIY end caps and connectors.

Description



Dimensions








Specification

Voltage	LED Pin Temperature	Storage Temperature	Ambient Working Temperature	CRI
DC24V	Max. 65°C	-25°C - 60°C	Min. -25°C Max. 35-55°C (check W/m)	>90

Power (W/m)	Efficiency (lm/W @4000K)	Max. Ambient Working Temperature	Max. Run Length (Powered from Single End)
10 / 16 / 20	65.3 / 63.1 / 61	55°C / 45°C / 35°C	17m (12W/m CV)

Cable Type

Cable Type	Image	Specification	Core	Description
Rubber		OD 5mm	2	Brown V+ Blue V-
Rubber		OD 6mm	3	Dual White: Red=V+, Black=White-, Yellow=White-
Rubber		OD 6mm	5	RGBW: Black=V+, Red=Red-, Green=Green-, Blue=Blue-, Grey=White-





Single Colour

CCT	CRI	Voltage (DC)	Power (W)	Lumen (lm/m)	Efficiency (lm/w)	Unit Length (mm)	Max. Run Length* (m)
2100K±100	>90	DC24V	12	608	50.7	50	17
			16	792	49.5		14
			20	942	47.1		12
2400K±100	>90	DC24V	12	651	54.3	50	17
			16	837	52.3		14
			20	1010	50.5		12
2700K±100	>90	DC24V	12	733	61.1	50	17
			16	945	59.1		14
			20	1136	56.8		12

3000K±100	>90	DC24V	12	724	60.3	50	17
			16	937	58.6		14
			20	1119	56.0		12
3500K+200 -100	>90	DC24V	12	680	56.7	50	17
			16	886	55.4		14
			20	1058	52.9		12
4000K+300 -200	>90	DC24V	12	783	65.3	50	17
			16	1009	63.1		14
			20	1220	61.0		12
5000K+300 -200	>90	DC24V	12	773	64.4	50	17
			16	997	62.3		14
			20	1207	60.4		12
6000K+300 -200	>90	DC24V	12	767	63.9	50	17
			16	999	62.4		14
			20	1185	59.3		12
Red	-	DC24V	12	335	57.9	50	25
			16	458	28.6		21
			20	524	26.2		18
Green	-	DC24V	12	788	65.7	50	17
			16	973	60.8		14
			20	1134	56.7		12
Blue	-	DC24V	12	169	14.1	50	17
			16	214	13.4		14
			20	262	13.1		12
Amber	-	DC24V	12	270	22.5	50	25
			16	335	20.9		21
			20	344	17.2		18
Pink	-	DC24V	12	325	27.1	50	17
			16	412	25.8		14
			20	502	25.1		12

*Max. run figure is a single length powered from one end. If powered from both ends, this length can be doubled.

Tuneable White

CCT	CRI	Voltage (DC)	Power (W)	Lumen (lm/m)	Efficiency (lm/m)	Unit Length	Max. Run* (m)
2700K±150	>90	DC24V	6	384	64.0	50	5
5400K±400	>90	DC24V	6	395	65.8	50	5
3900K±300	>90	DC24V	12	785	65.4	50	5

2700K±150	>90	DC24V	8	498	62.3	50	5
5400K±400	>90	DC24V	8	524	65.5	50	5
3900K±300	>90	DC24V	16	1013	63.3	50	5

2700K±150	>90	DC24V	10	617	61.7	50	5
5400K±400	>90	DC24V	10	642	64.2	50	5
3900K±300	>90	DC24V	20	1258	62.9	50	5

RGBW

CCT	CRI	Voltage (DC)	Power (W)	Lumen (lm/m)	Efficiency (lm/m)	Unit Length	Max. Run* (m)
Red	-	DC24V	3	58.3	19.4	-	-
Green	-	DC24V	3	182.8	60.9	-	-
Blue	-	DC24V	3	45.6	15.9	-	-
White (2500-2900K)**	>90	DC24V	3	209.1	69.7	-	-
RGBW	-	DC24V	12	492.3	41.0	62.5	5

Red	-	DC24V	4	74.7	18.7	-	-
Green	-	DC24V	4	256.6	64.2	-	-
Blue	-	DC24V	4	62.78	15.9	-	-
White (2500-2900K)**	>90	DC24V	4	269.9	67.5	-	-
RGBW	-	DC24V	16	653.7	40.9	62.5	5

Red	-	DC24V	5	98.29	19.7	-	-
Green	-	DC24V	5	260.6	52.1	-	-
Blue	-	DC24V	5	71.14	14.2	-	-
White (2500-2900K)**	>90	DC24V	5	338.7	67.7	-	-
RGBW	-	DC24V	20	760.2	38	62.5	5

*Max. run figure is a single length powered from one end. If powered from both ends, this length can be doubled.

**White 2500-2900K used for example purposes. Other white temperatures also available.

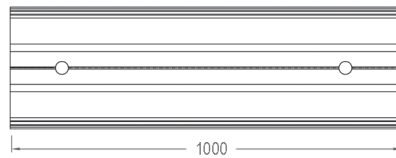
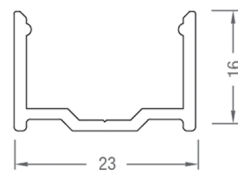
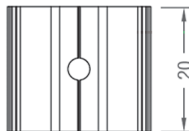
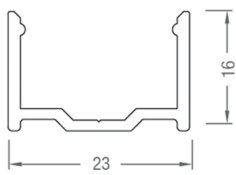
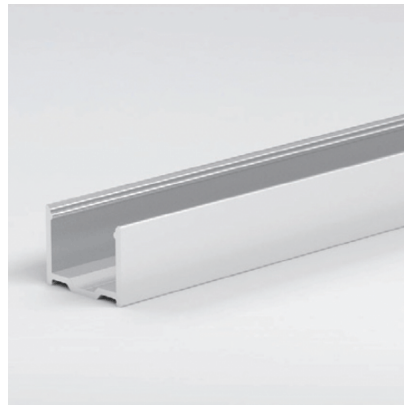
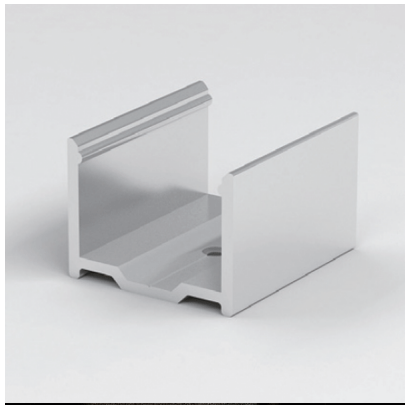
Factory-fit IP67 End Connectors

In order to retain the best possible IP rating of the neon strip, the end connections are produced at the factory and delivered ready to plug and play. Alternatively, DIY end connectors are also available for those looking to cut and prepare lengths themselves.



Installation

The LED profile can be inserted into various mounting channels or clips for a clean and durable installation.



Additional Information

Weight (kg)	0.500000
Light Element Type	SMD LED
Material	Silicone
Lens Angle	120°
Width (mm)	20.00
Height (mm)	16.00
Input Voltage	24Vdc
IP Rating	IP67
Dimmer	Yes
CRI	>90
Cutting Intervals (mm)	50.00
Luminous Flux (lm/M)	169 - 1258
Operating Temperature Range (°C)	-25° - +55°C
Strip LED Type	Flexible Neon

