



AS3 Heavy Duty Automatic Float Switch For Bilge Pumps

£31.64

Excl. Tax: £26.37

Product Images

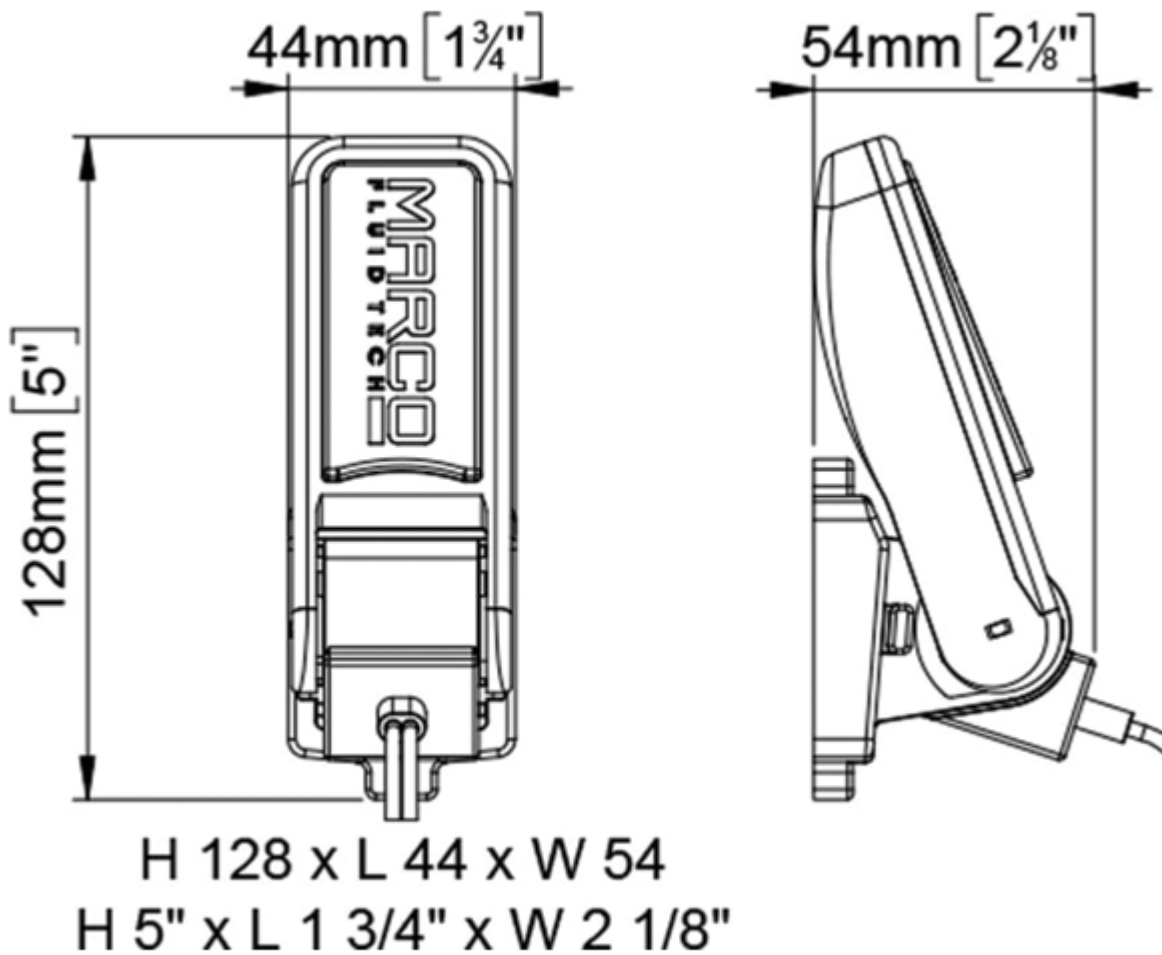


Short Description

Automatic float switch for bilge pumps.

The AS3 heavy duty float switch can be combined with any of our Marco pumps in order to create an automatic system that activates when a certain level of water is detected in the bilges. It is manufactured according to ISO 9001:2000 Quality System Standards. The switch is supplied with 900mm of AWG 16 cable.

Description



Specification

Operating Voltage	12 / 24Vdc
AWG / Cable Length	2 x AWG 16 / 900 mm

Contacts	d. 5.5 mm Copper Contacts
Operating Current	20 A Maximum (at 12 VDC) – 10 A Maximum (at 24 VDC)
Operating Duty Cycle (Recommended)	Intermittent
Temperature Range	-25 °C / +60 °C
Water Level ON/OFF	51 mm / 19 mm
Protection Standards	EN 60529 - IP 67 ISO 8846
E.M.C. Standards	EN 61000-6-1 EN 61000-6-3
Electrical Standard	ISO 10133
Dimensions	127 x 42 x 110 mm
Net Weight	0.1Kg

Additional Information

Input Voltage	12 / 24Vdc
Liquid Type	Fresh water
Power Consumption	10 Amps
Weight (kg)	0.250000
Manufacturer	Marco

