



Stainless Steel Cranked Hinge

£44.22

Excl. Tax: £36.85

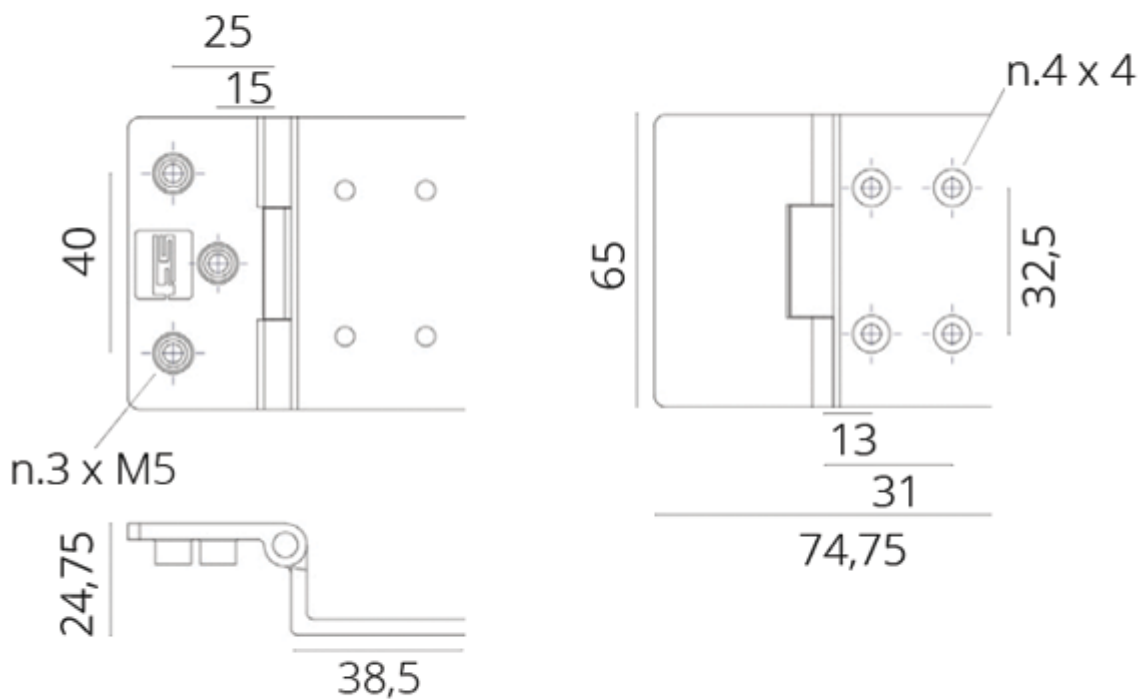
Product Images



Short Description

This mirror polished 316-grade stainless steel cranked hinge offers a useful solution for installations where the hinge leaf heights must be irregular. The hinge features a cranked height of 20.75mm and is fixed in place with 4x max. 4mm countersunk screws on one side and 4x M4 stud fixings on the other (fixings not supplied).

Description



Additional Information

Length (mm)	74.75
Height (mm)	24.75
Width (mm)	65.00
Cranked Height (mm)	20.75
Leaf Thickness (mm)	4.00
Finish	316 Stainless Steel
Manufacturer	Foresti & Suardi

