



Butt Hinge - Stainless Steel

£39.91

Excl. Tax: £33.26

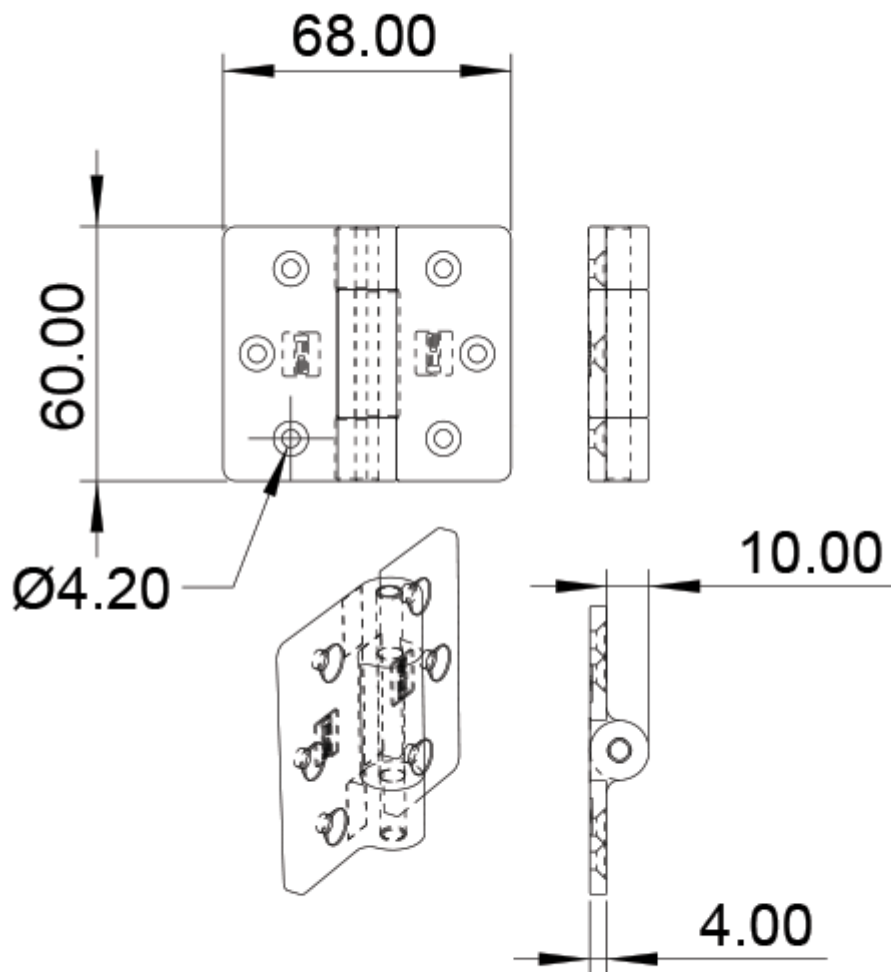
Product Images



Short Description

A 316-grade (A4) stainless steel butt hinge for interior or exterior application including salt water environments. Polished finish (fixings not supplied).

Description



Additional Information

Length (mm)	68.00
Width (mm)	60.00
Leaf Thickness (mm)	4.00
Hub Diameter (mm)	14.00
Finish	316 Stainless Steel
Manufacturer	Foresti & Suardi
Weight (kg)	0.160000

