



Twin Gas Assisted Table Pedestal

From

£2,364.88

Excl. Tax: £1,970.73

Product Images



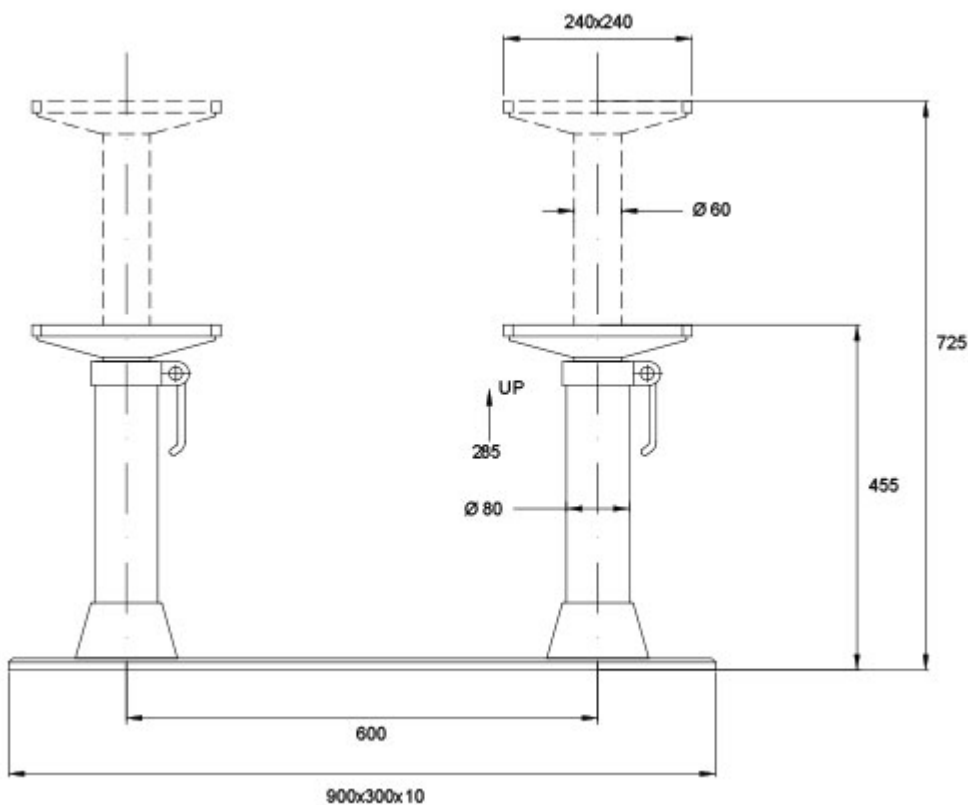
Short Description

A twin, gas assisted, pedestal made from aluminium. Powder coated in matte black (nero) or white (9010) as standard.

- Rectangular aluminium plate joining the two supports.
- Manually height adjustable via lever.
- 316-grade stainless steel inserts.

Description

Dimensions



Powder Coating Options



RAL 9010

RAL 9001

RAL 9016

RAL 9003

RAL 9013



NERO

RAL 7016

RAL 7040

RAL 5011

RAL 5004

MATTE BLACK (NERO) / WHITE (9010) ARE STANDARD OPTIONS, OTHER FINISHES MAY BE APPLICABLE TO A MINIMUM ORDER AND VARY IN LEAD TIME / PRICE)

Additional Information

Top Plate (mm)	240.00 x 240.00
Base (mm)	900.00 x 300.00 x 10.00
Max. Height (mm)	725.00
Min. Height (mm)	455.00
Max. Lifting Capacity (kg)	20
Manufacturer	Besenzoni
Weight (kg)	19.000000

Product Options

Finish:	White
	Black

