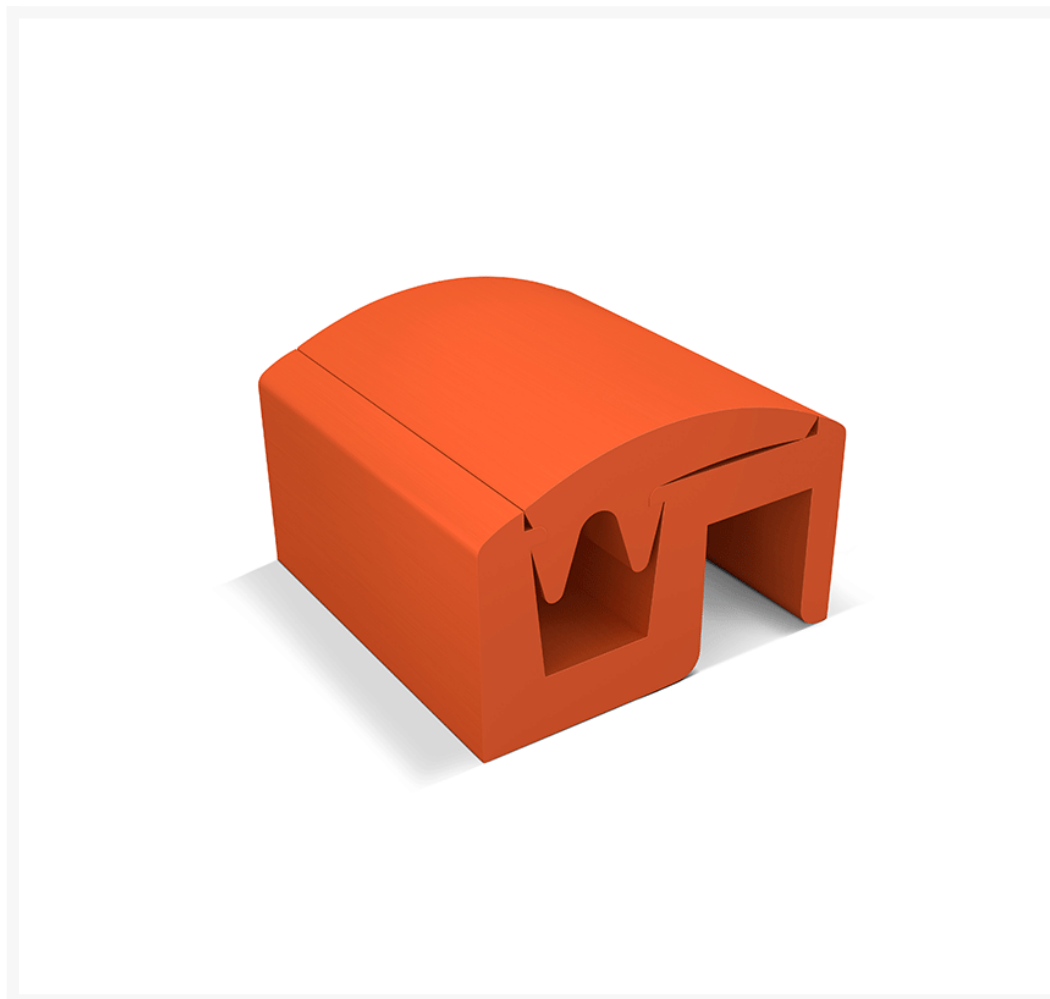




Qbe 65 PVC Fender Profile

From
£30.53
Excl. Tax: £25.44

Product Images



Short Description

Qbe is an innovative fender profile solution that provides excellent impact resistance in a square form. As with the other Tessilmare rubrail products, Qbe is sold per metre and delivered in a roll for simple stock handling. It is a lightweight solution and is secured in place with screws, hidden below the top PVC profile.

Qbe is available in four colours and has a minimum order of 24m.

Description

Selling Information

The Qbe rubrail is sold per metre and delivered in a roll for simple stock handling. It is a lightweight solution and end caps are also available.

The minimum order quantity for Qbe is 24m and it is available in black, white, grey and orange.

Materials

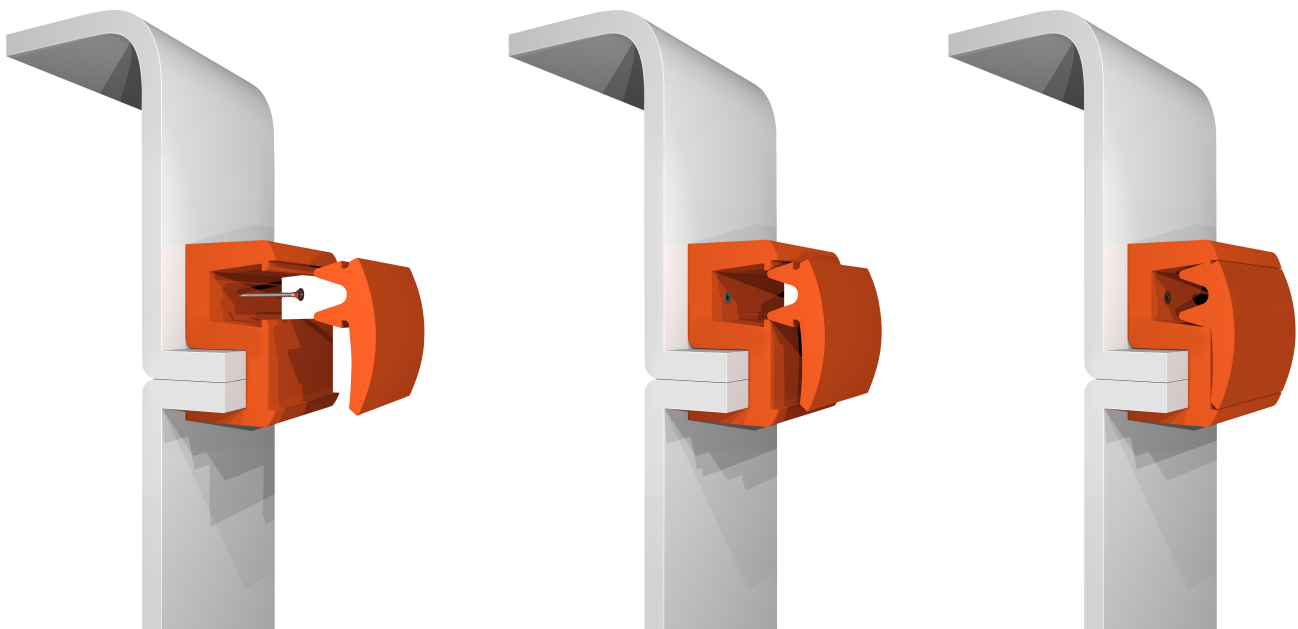
- PVC for marine application, available in four colours

Installation

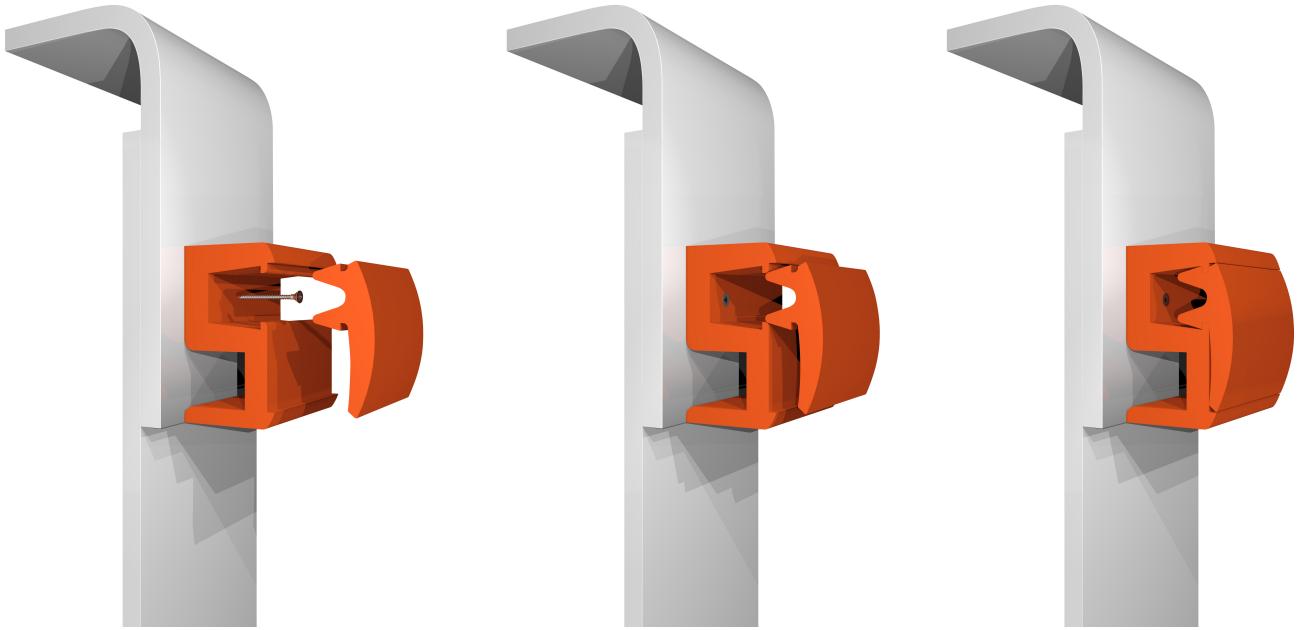
Please carefully consult the installation guide found in the downloads section of this page for more information regarding the installation of Qbe. It is important that the product is installed according to the manufacturer's guidelines to ensure the correct performance of the profile.

Fitting Methods

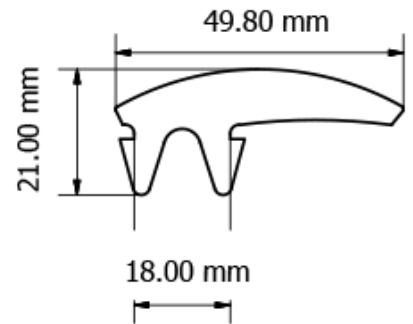
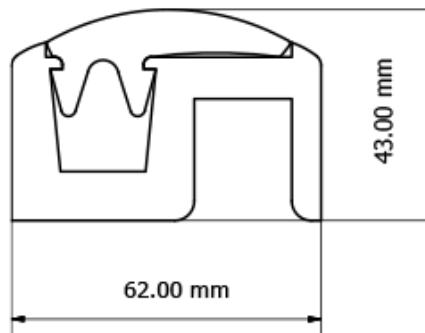
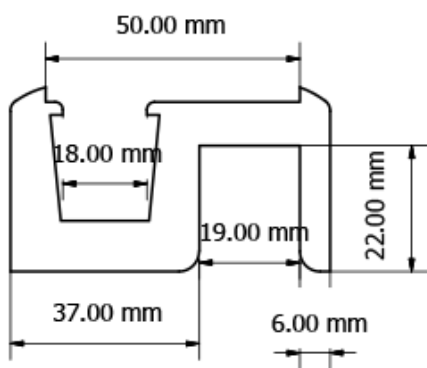
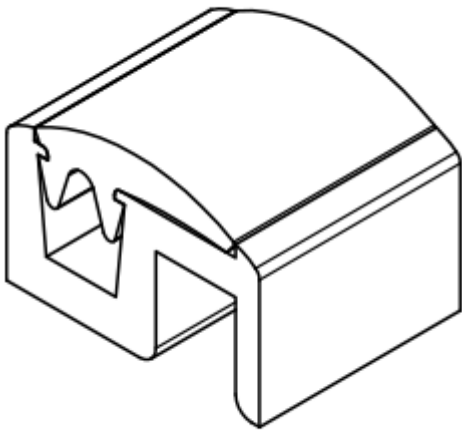
Sandwich Junction



Boxed Junction / Flat Hull



Drawing



Additional Information

Radius (mm)	100.00
Material	PVC
Weight (kg)	2.400000
Manufacturer	Tessilmare

Product Options

Finish:	White
	Grey
	Black
	Orange

