



# MT2 Twin Tone Horn Set

From  
**£89.71**

Excl. Tax: £74.76

## Product Images



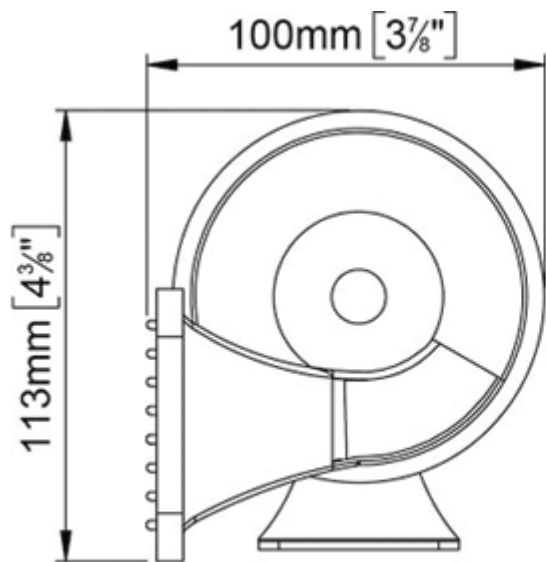
## Short Description

---

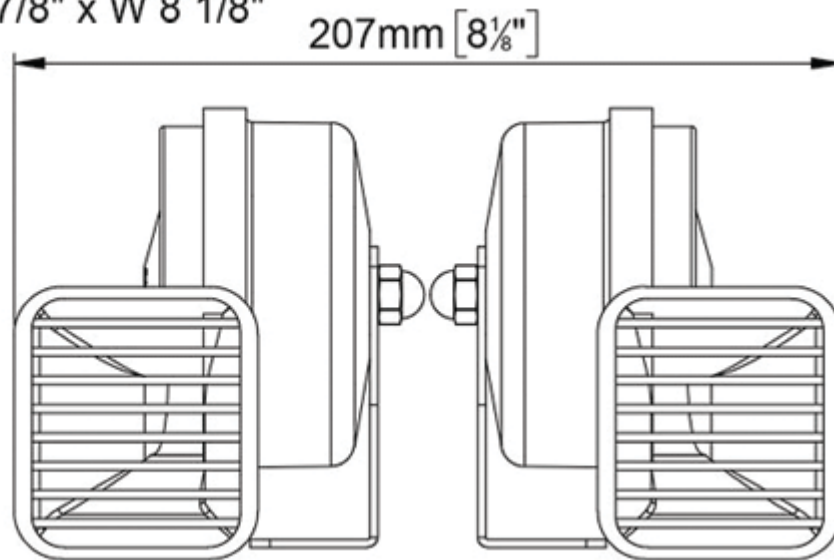
The *MT2* twin horn set offers a compact twin horn solution. This kit consists of a 410 Hz horn and a 490 Hz horn and is offered in a marine-grade chrome plated finish. The set is available in a 12 or 24 volt version.

## Description

---



H 113 x L 100 x W 207 mm  
H 4 3/8" x L 3 7/8" x W 8 1/8"



## Additional Information

---

Finish	Chrome
Horn Type	Electric Horn
dB (1/3 OCT. 1M)	116.00
Hz	410/490
Weight (kg)	1.048000
Manufacturer	Marco

## Product Options

---

Input Voltage:	12Vdc
	24Vdc

