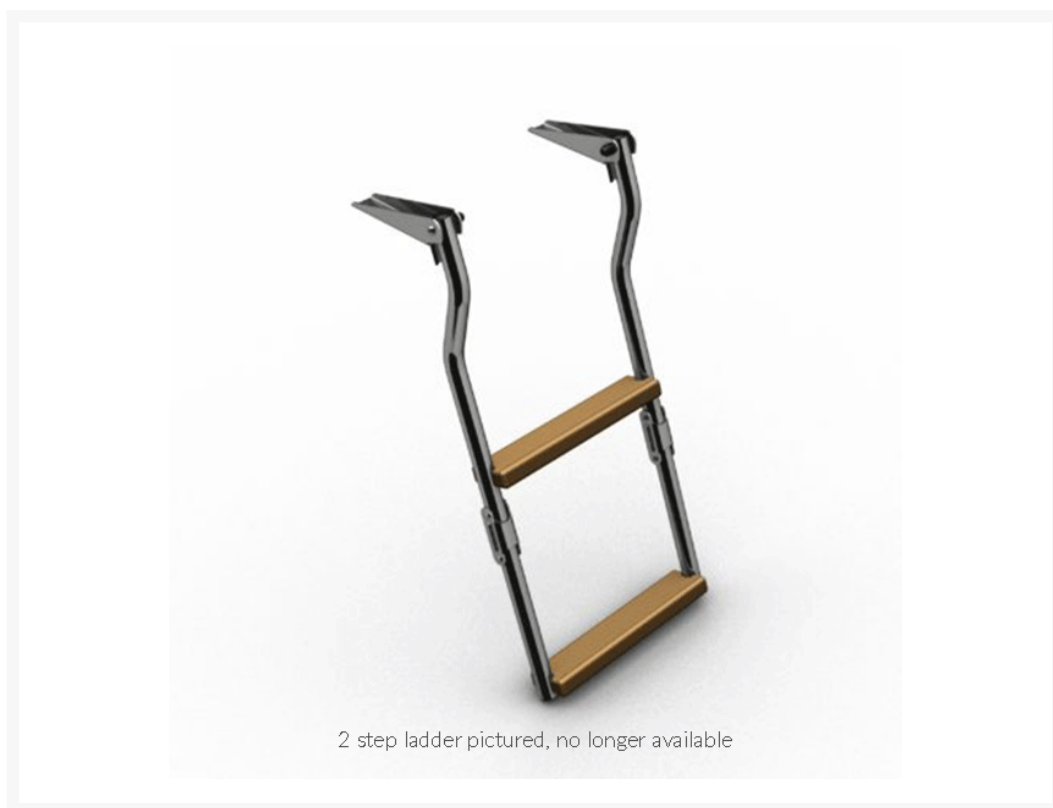




2048 Over Platform Folding Ladder

From
£236.16
Excl. Tax: £196.80

Product Images

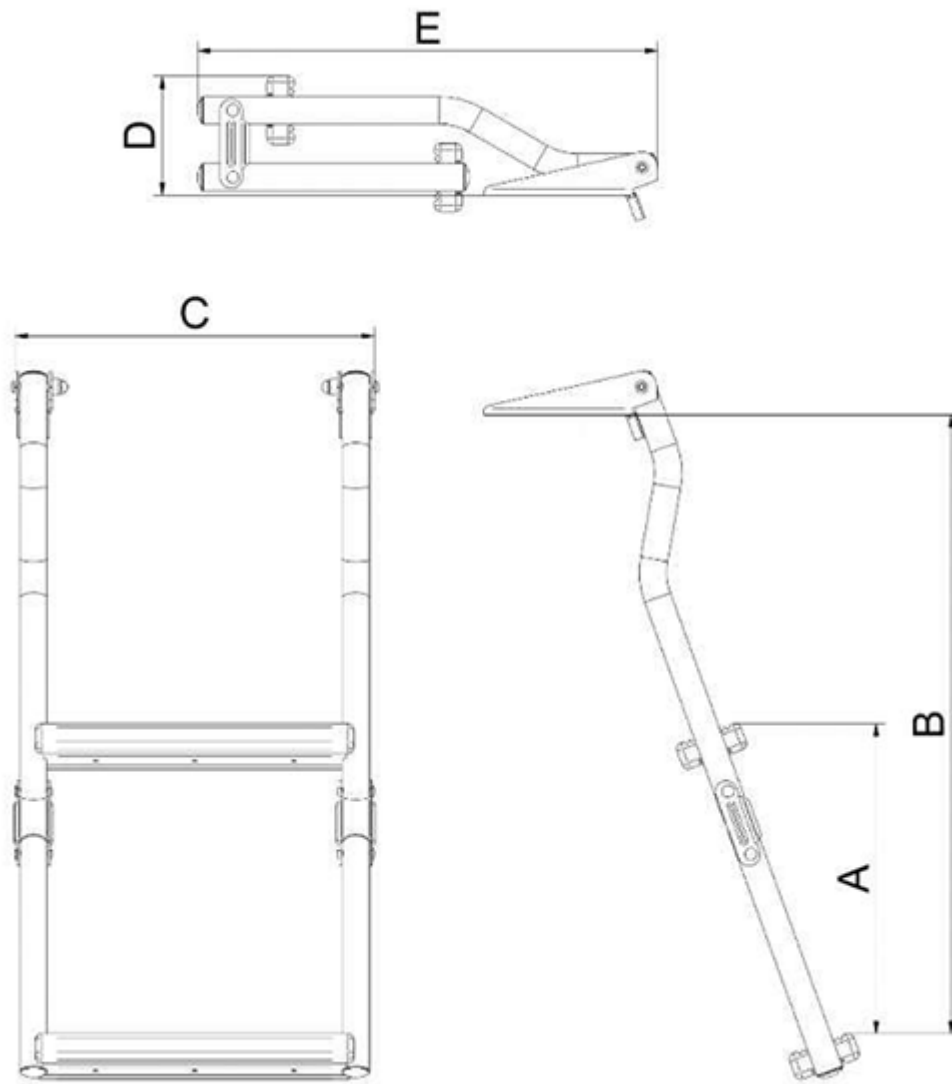


Short Description

The 2048 is a over platform ladder made from 316-grade, mirror polished, Ø25 stainless steel tube. 2048 is available with 3 or 4 steps, both with iroko treads.

This ladder has a locking system to prevent the ladder deploying when not in use.

Description



Part Number	A	B	C	D	E	Steps
2048.03.290.3.SS	180	600	290	95	420	3 steps with iroko treads
2048.03.290.4.SS	180	745	290	95	500	4 steps with iroko treads

all measurements in mm

Additional Information

Rung Spacing (mm)	180.00
Operation Type	Manual
Weight (kg)	3.500000
Manufacturer	Nautinox
Finish	316 Stainless Steel & Iroko Treads
Width (mm)	290.00

Product Options

Number of Steps:	3 Step
	4 Step

