



EM2 Stainless Steel Short Horn

From
£98.87

Excl. Tax: £82.39

Product Images

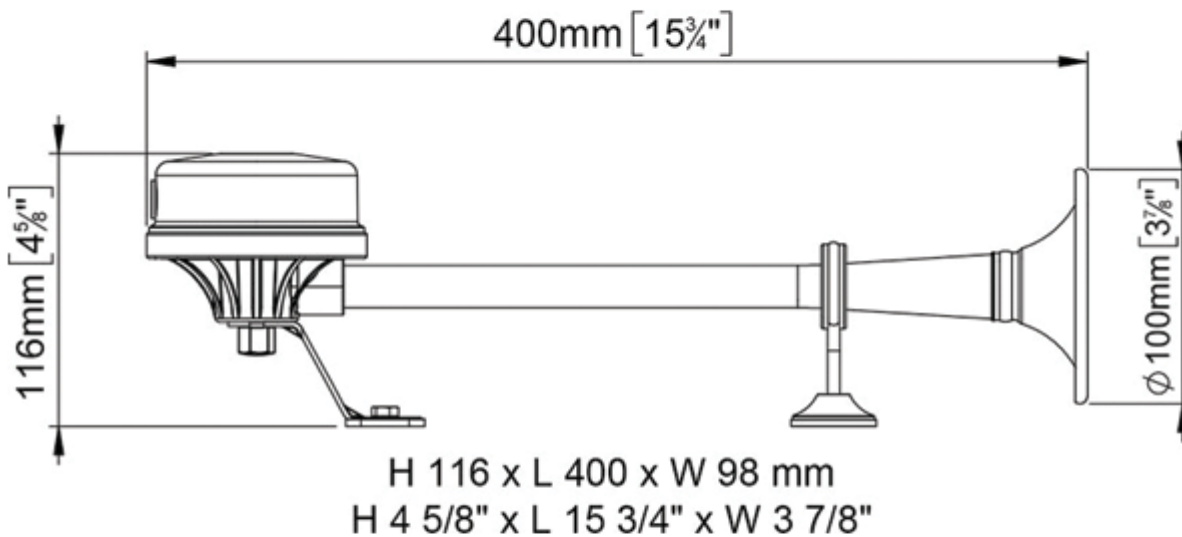


Short Description

Single electromagnetic horn with stainless steel trumpet. Powerful acoustic unit carefully protected and manufactured from non-corrosive materials, complete with fixing hardware.

This short trumpet model produces a high tone at 370Hz and is available in 12 or 24 Volt.

Description



Additional Information

Finish	304 Stainless Steel
Power Consumption	3 Amps
Horn Type	Electric Horn
dB (1/3 OCT. 1M)	118.00
Hz	370.00
Weight (kg)	0.905000
Manufacturer	Marco

Product Options

Input Voltage:	12Vdc
	24Vdc

