



EM1/2 Stainless Steel Twin Tone Horn Set

From

£197.74

Excl. Tax: £164.78

Product Images

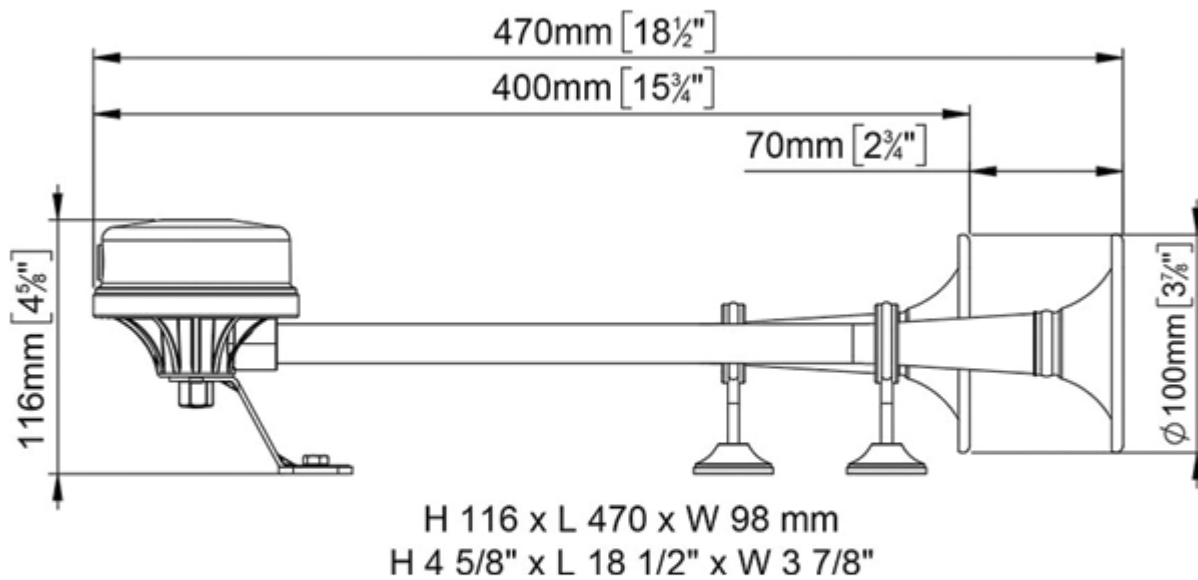


Short Description

Double electromagnetic horn set with stainless steel trumpets, brackets and membranes. The *EM1/2* is an excellent dual tone electric horn set constructed entirely from stainless steel. It is the perfect small craft horn solution and with an impressive 121 decibels output it packs a punch. The *EM1/2* marine horn set consists of the *EM1* long stainless steel horn and the *EM2* short stainless steel horn. Together, the two tones come together for a unique sound.

Complete with fixing hardware. NMMA type approval.

Description



Additional Information

Finish	304 Stainless Steel
Power Consumption	3 Amps
Horn Type	Electric Horn
dB (1/3 OCT. 1M)	121.00
Hz	370/320
Weight (kg)	2.040000
Manufacturer	Marco

Product Options

Input Voltage:	12Vdc
	24Vdc

