



Stainless Steel Manual Seat Pedestal with Slider

From

£1,248.88

Excl. Tax: £1,040.73

Product Images





Short Description

A 316-grade, mirror polished, stainless-steel seat pedestal, gas assisted, with sliding capabilities. This pedestal can raise, lower, rotate and the T21013B version has a seat slider incorporated allowing a total travel of 200mm.

The thumb wheel allows you to lock the pedestal to ensure that it will not raise, lower or rotate. Once released the pedestal can be manually rotated and the height adjusted using the secondary lever. The T21013B version has a third lever, when engaged the slider can travel 100mm forward and 100mm aft.

Description

- [With Slider](#)
- [Without Slider](#)

Mirror Polished Stainless-Steel



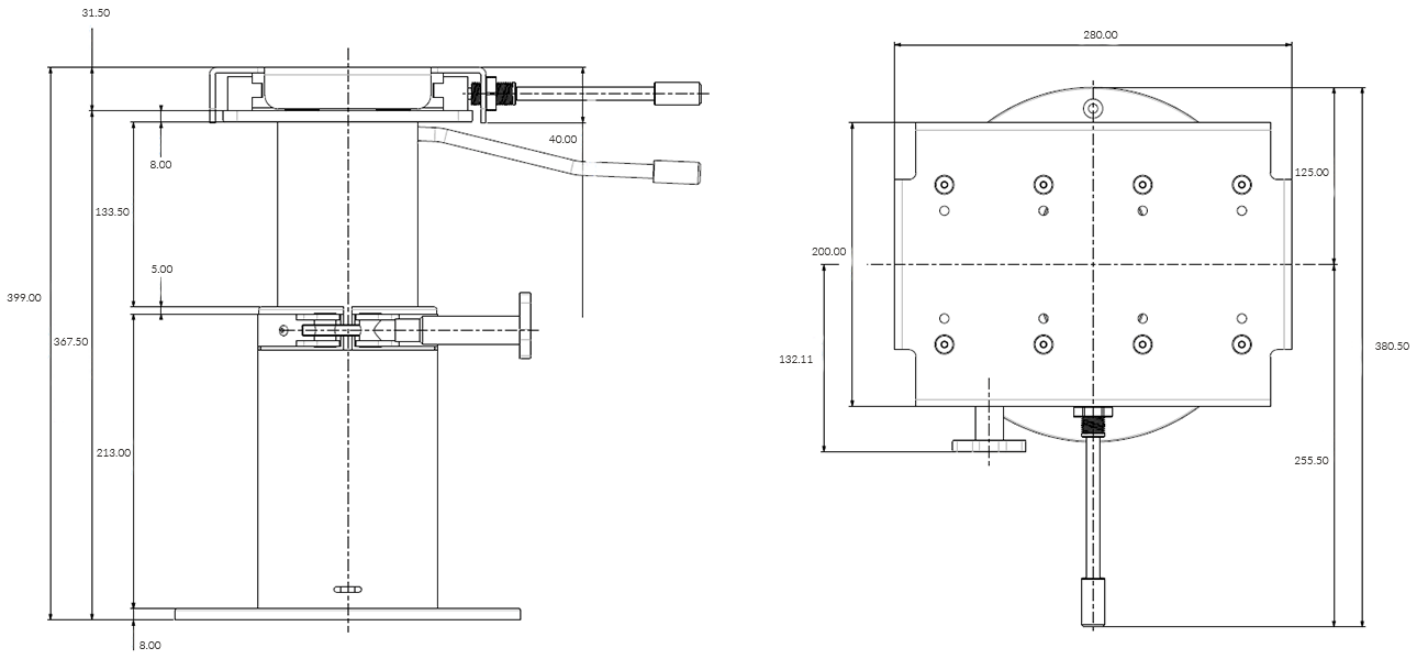
Rotate, Raise and Lower



Sliding Function Available



T21013B Drawing



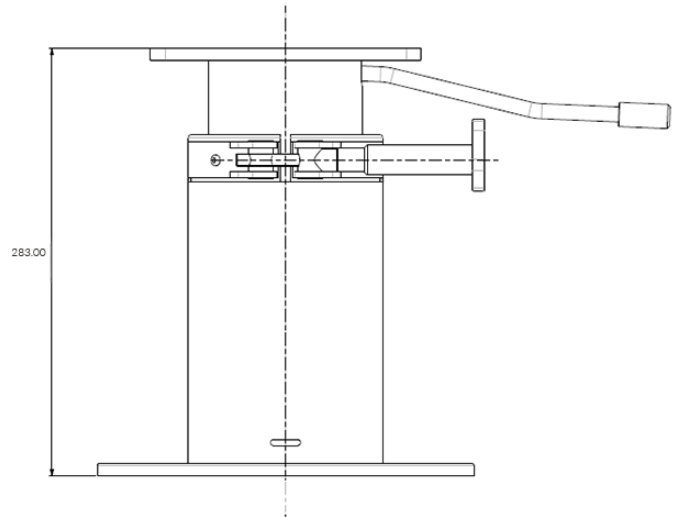
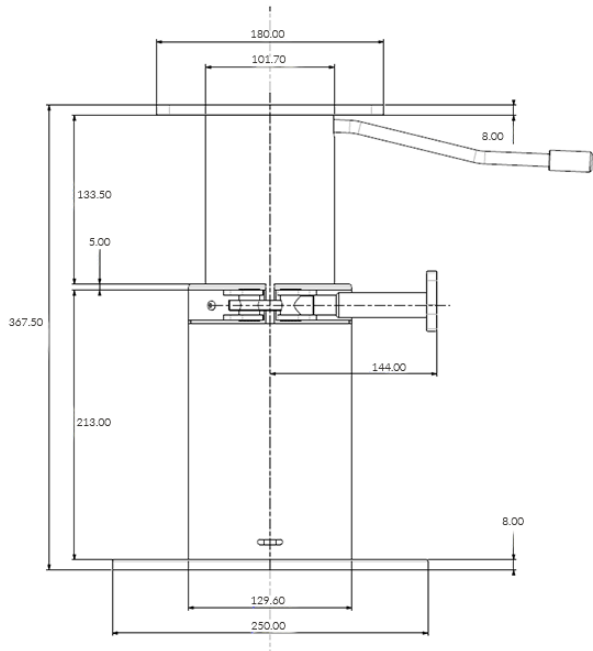
Mirror Polished Stainless - Steel



Rotate, Raise and Lower



T21013A Drawing



Additional Information

Column (mm)	129.60
Base Diameter (mm)	250.00
Finish	316 Stainless Steel
Manufacturer	Atep
Weight (kg)	11.000000

Product Options

Version:	with Slider
	without Slider

