



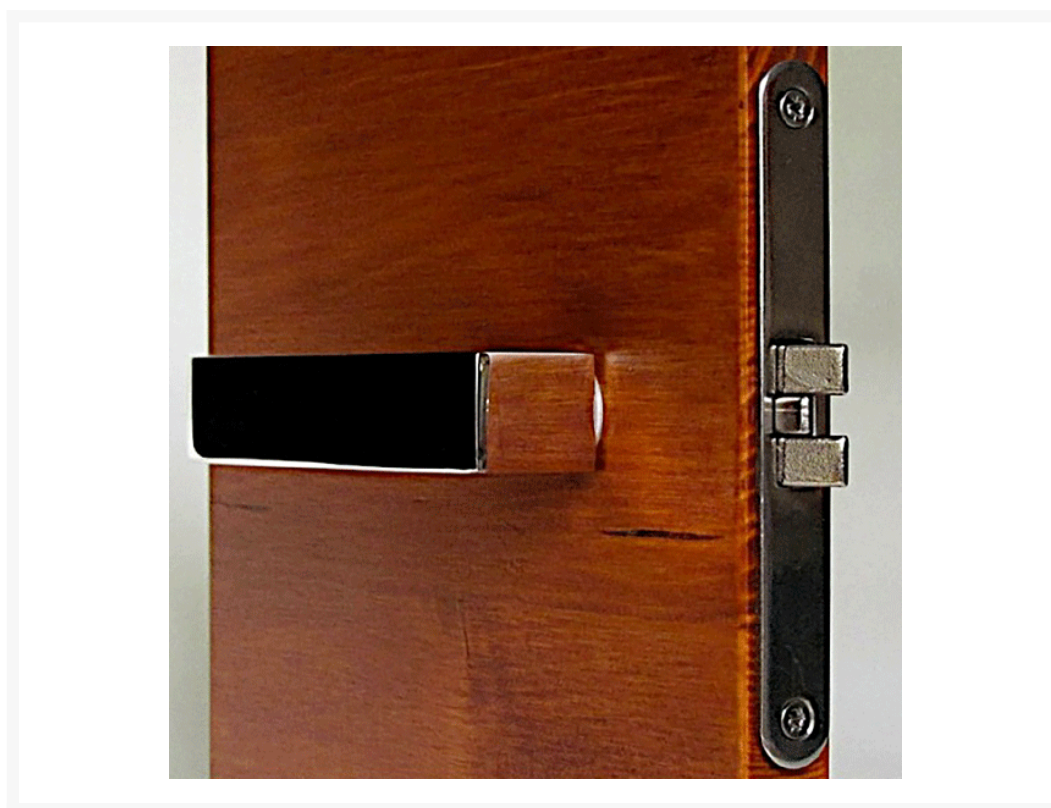
Nauta Q Anti-Rattle Lockset

From

£134.68

Excl. Tax: £112.23

Product Images



Short Description

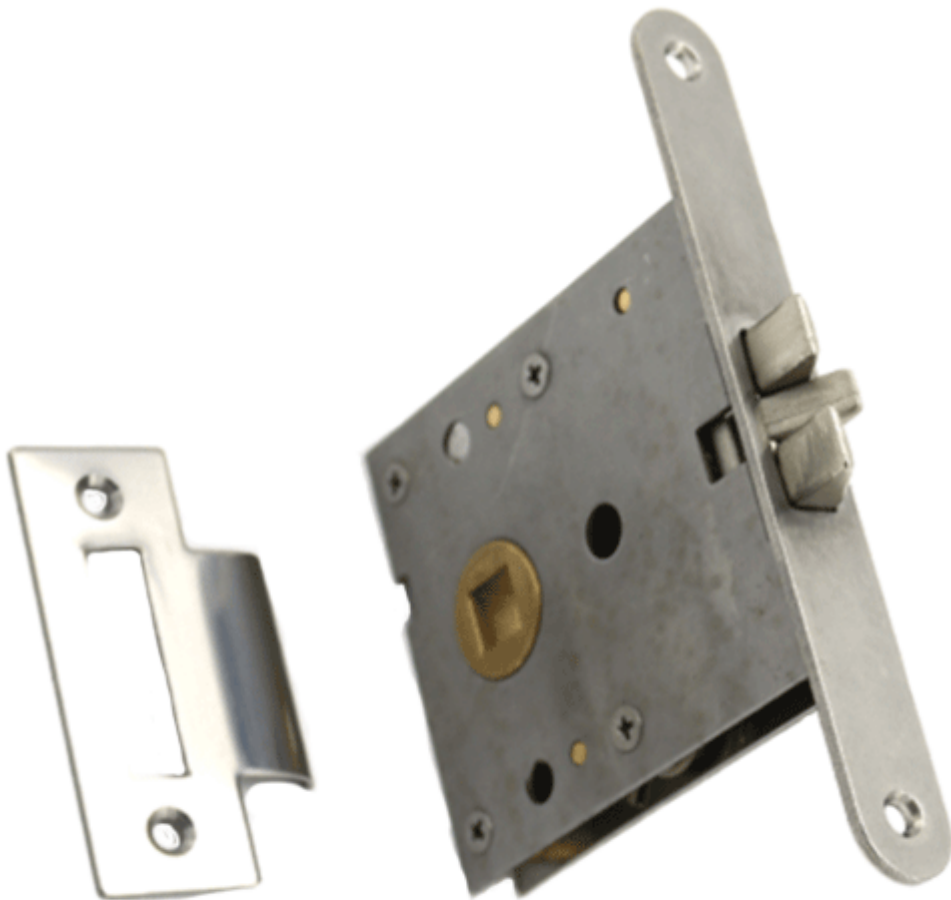
A anti-rattle mortise latch lockset consisting of our [409713C](#) rim latch and a choice of our [850062](#) or [850072](#) handles. This lockset is enabled with a pin activated handle lock mechanism, making it ideal for use where a simple privacy function is required. The latch is a chrome-plated brass finish and has a universal door handing design.

This lockset is supplied with 316-grade stainless steel handles, designed to withstand the harshest of environments. These handles are compact at only 100mm length so are suited to applications where a bulky or heavy handle is best avoided.

Description

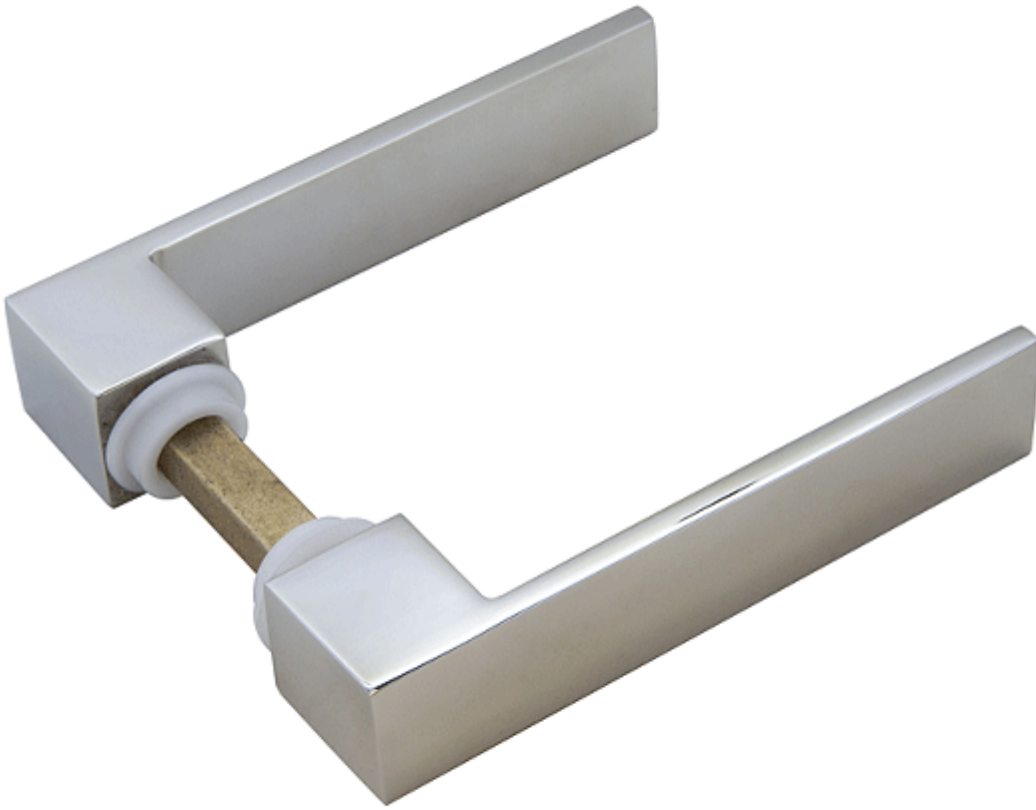
40973100C Lockset Contents

Chrome Anti-Rattle Mortise Latch

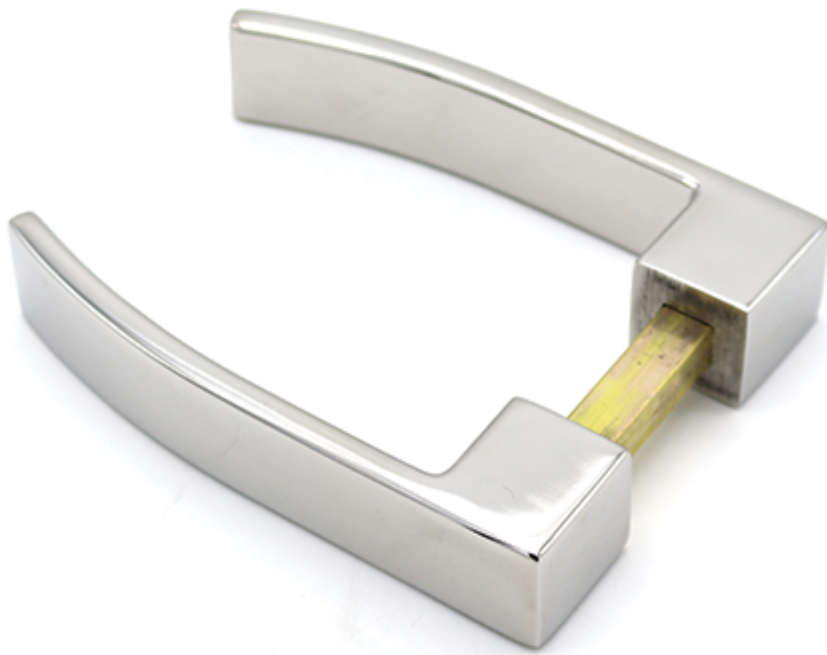


Choice of Two Handle Styles

850062

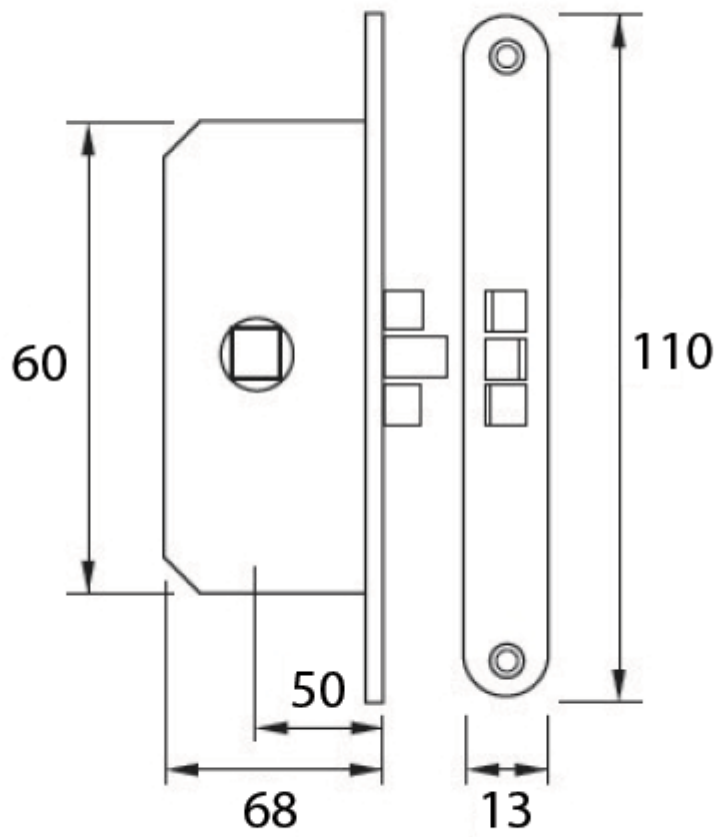


850072

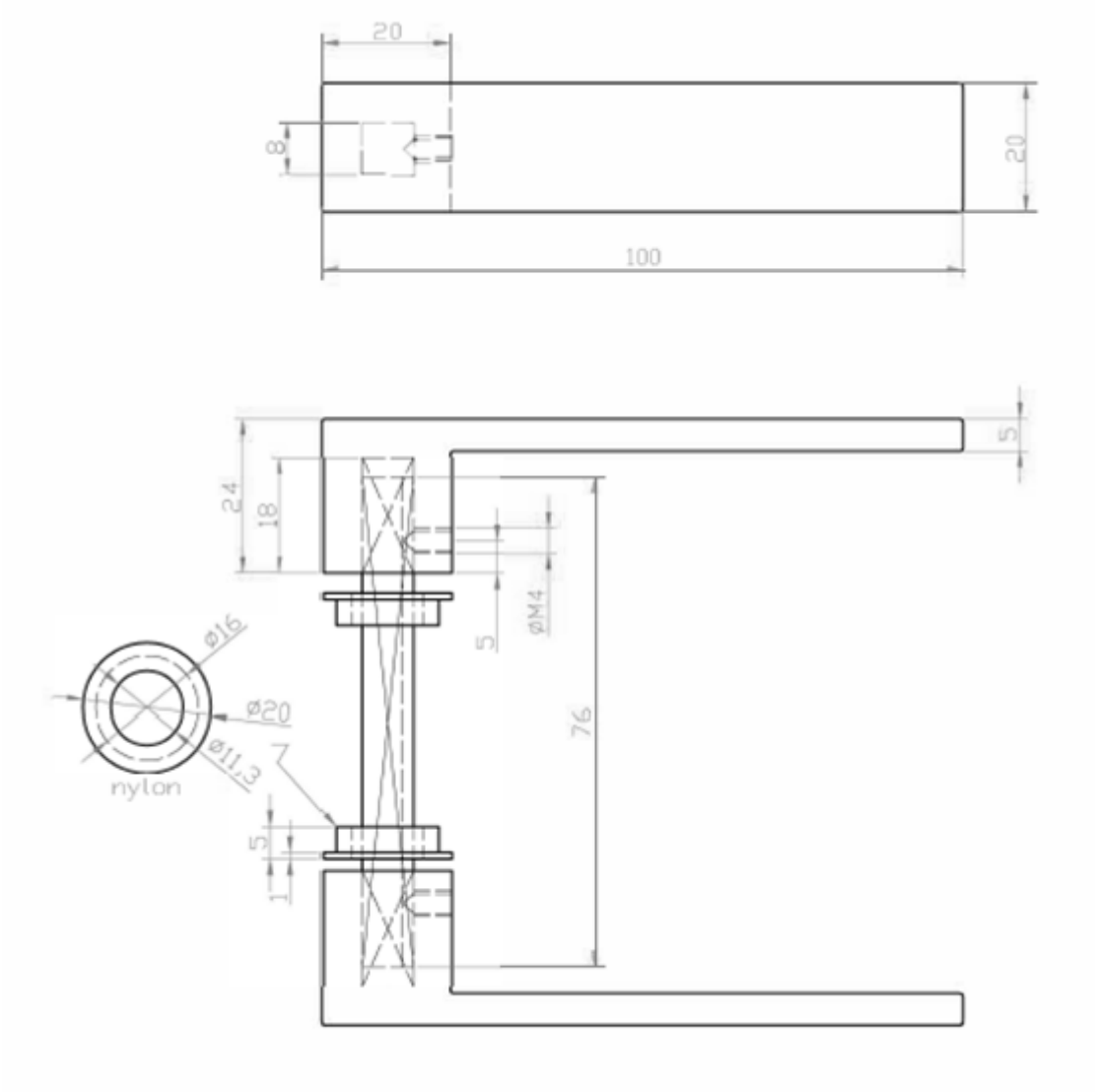


Drawings

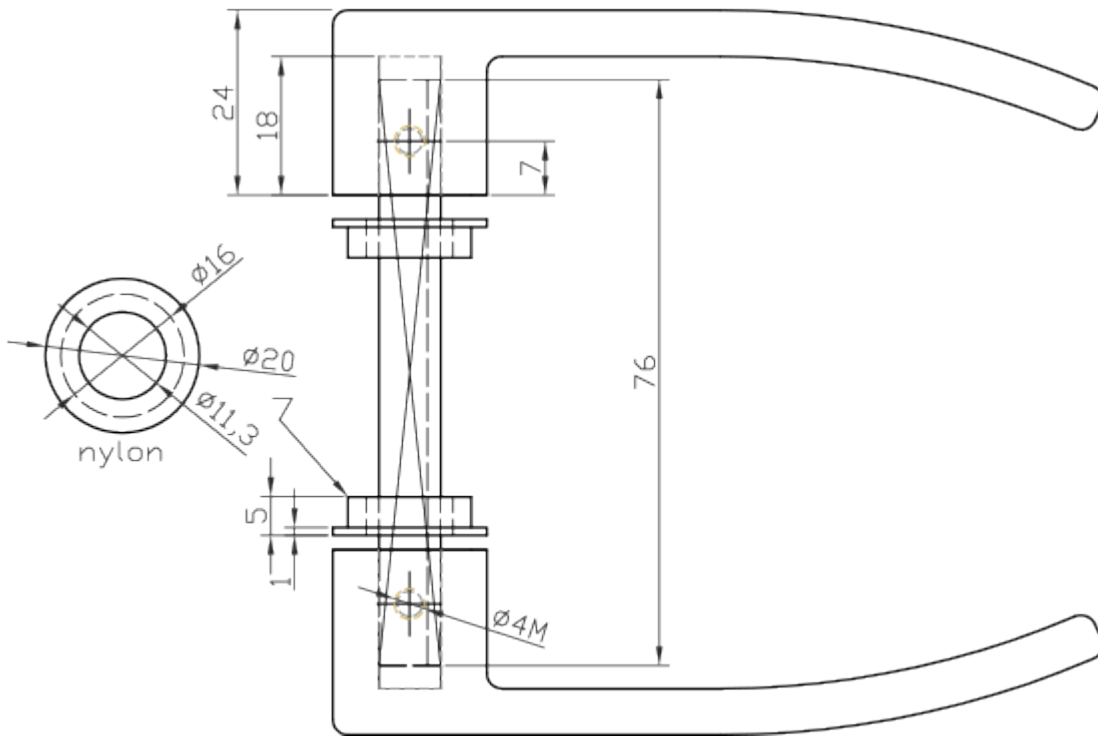
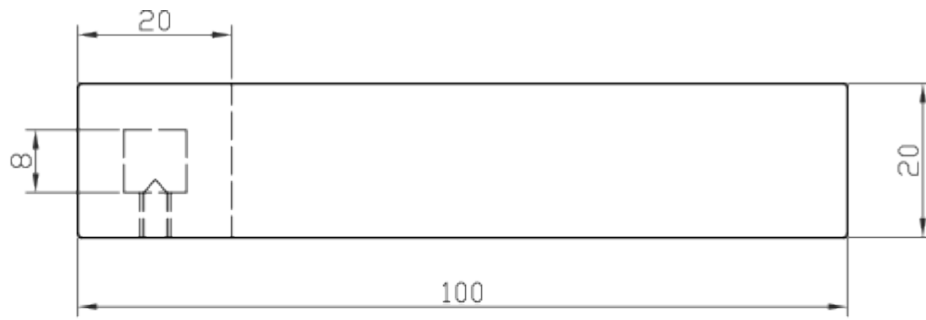
Anti-Rattle Mortise Latch



850062 Handles



850072 Handles



Additional Information

Keeper Length (mm)	56.00
Keeper Width (mm)	20.00
Keeper Tongue Length (mm)	13.50
Lock Type	Mortise Lock
Spindle (mm)	8
Latch Length (mm)	68.00
Latch Height (mm)	60.00
Latch Width (mm)	9.00
Lock Backset (mm)	50.00
Handle Length (mm)	100.00
Handle Height (mm)	20.00
Finish	Chrome
Manufacturer	Razeto & Casareto
Weight (kg)	0.500000

Product Options

Version:	850062 Handles
	850072 Handles

