



Nauta C Anti-Rattle Lockset

£171.49

Excl. Tax: £142.91

Product Images



Short Description

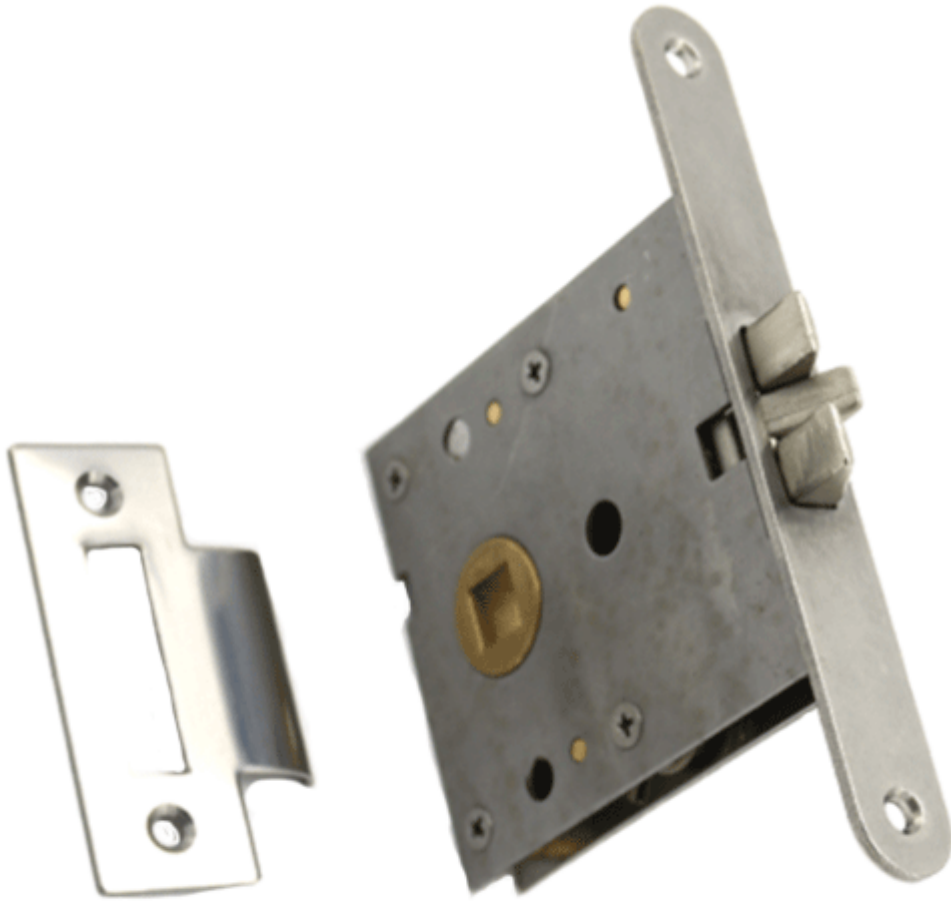
A anti-rattle mortise latch lockset consisting of our [409732C](#) rim latch and our [509500SS](#) handles. This lockset is enabled with a pin activated handle lock mechanism, making it ideal for use where a simple privacy function is required. The latch is a chrome-plated brass finish and has a universal door handing design.

This lockset is supplied with 316-grade stainless steel handles, designed to withstand the harshest of environments. These handles have a compact and minimalist design, suited to applications where a bulky or heavy handle is best avoided.

Description

40973200C Lockset Contents

Chrome Anti-Rattle Mortise Latch

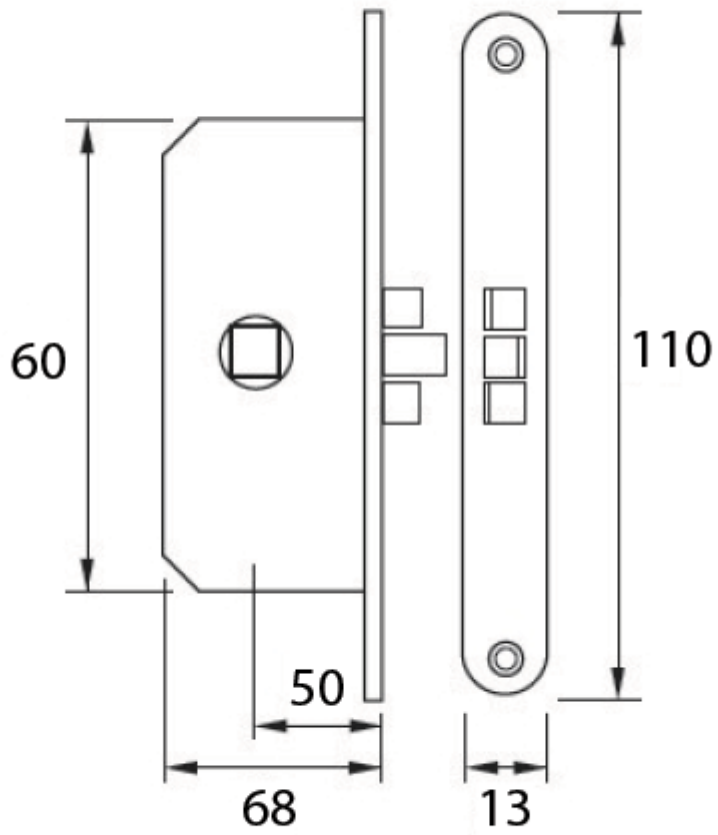


Stainless Steel, Low Profile Door Handles

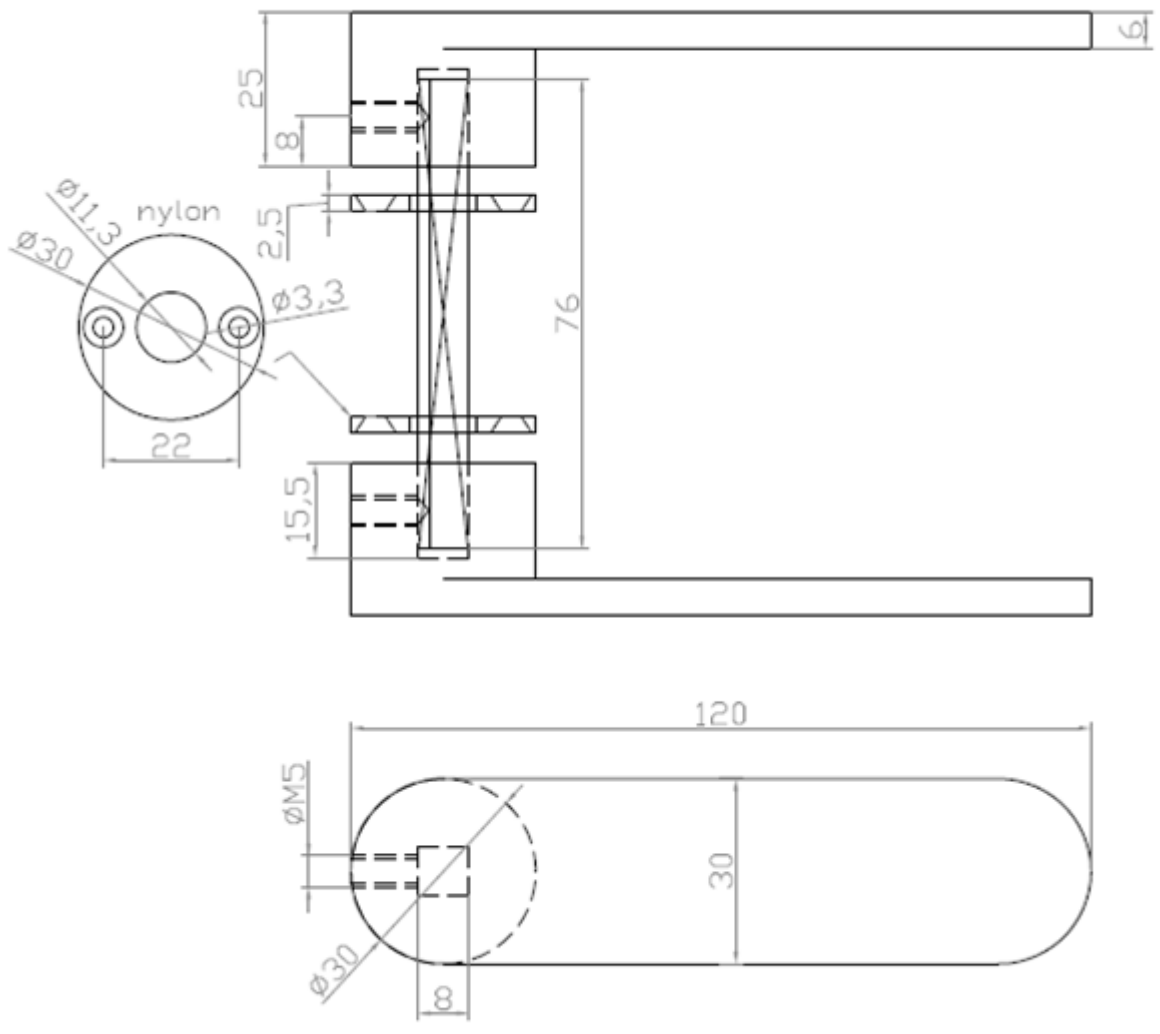


Drawings

Anti-Rattle Mortise Latch



Door Handles



Additional Information

Keeper Length (mm)	56.00
Keeper Width (mm)	20.00
Keeper Tongue Length (mm)	13.50
Lock Type	Mortise Lock
Spindle (mm)	8
Latch Length (mm)	68.00
Latch Height (mm)	60.00
Latch Width (mm)	9.00
Lock Backset (mm)	50.00
Handle Length (mm)	120.00
Handle Height (mm)	30.00
Finish	Chrome
Manufacturer	Razeto & Casareto
Weight (kg)	0.500000

