



2206 Series Telescopic Ladder

From
£311.87
Excl. Tax: £259.89

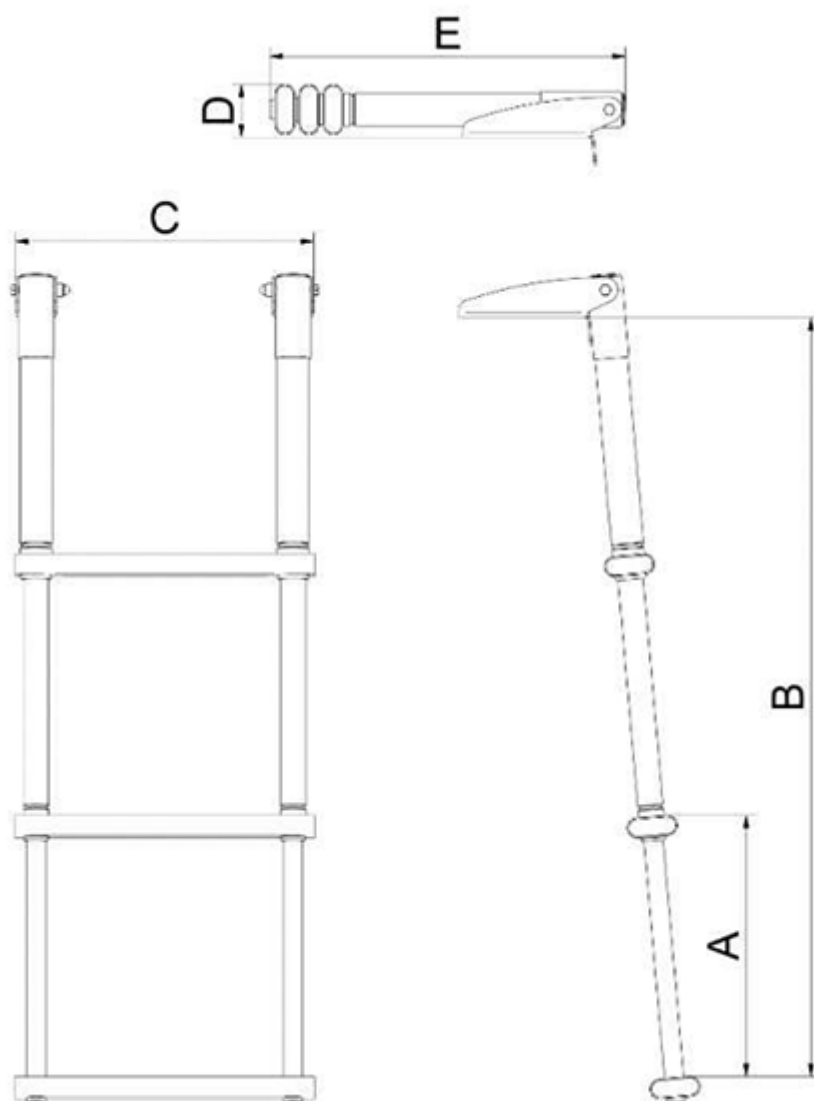
Product Images



Short Description

The 2206 is a over-platform telescopic bathing ladder made from mirror-polished, 316-grade, stainless steel. This ladder is easily mounted using four M6 bolts (not supplied) and is available with three and four steps, in four different widths and with two tread options.

Description



Part Number	A	B	C	D	E	Steps
2206.01.240.3.SS	260	750	240	55	355	3 steps with brown non-slip treads
2206.02.240.3.SS	260	750	240	55	355	3 steps with grey non-slip treads
2206.01.295.3.SS	260	750	295	55	355	3 steps with brown non-slip treads
2206.02.295.3.SS	260	750	295	55	355	3 steps with grey non-slip treads

2206.02.300.4.SS	260	1010	300	55	375	4 steps with grey non-slip treads
2206.01.300.4.SS	260	1010	300	55	375	4 steps with brown non-slip treads
2206.01.400.4.SS	260	1010	400	55	375	4 steps with brown non-slip treads
2206.02.400.4.SS	260	1010	400	55	375	4 steps with grey non-slip treads

all measurements in mm

Additional Information

Folded Height (mm)	55.00
Weight (kg)	7.000000
Manufacturer	Nautinox

Product Options

Finish:	316 Stainless Steel with Grey Non-Slip Tread
	316 Stainless Steel with Brown Non-Slip Tread
Number of Steps:	3 Step
	4 Step
Width (mm):	240.00
	295.00
	300.00
	400.00

