



# 2218 Series Folding Ladder

From

**£348.97**

Excl. Tax: £290.81

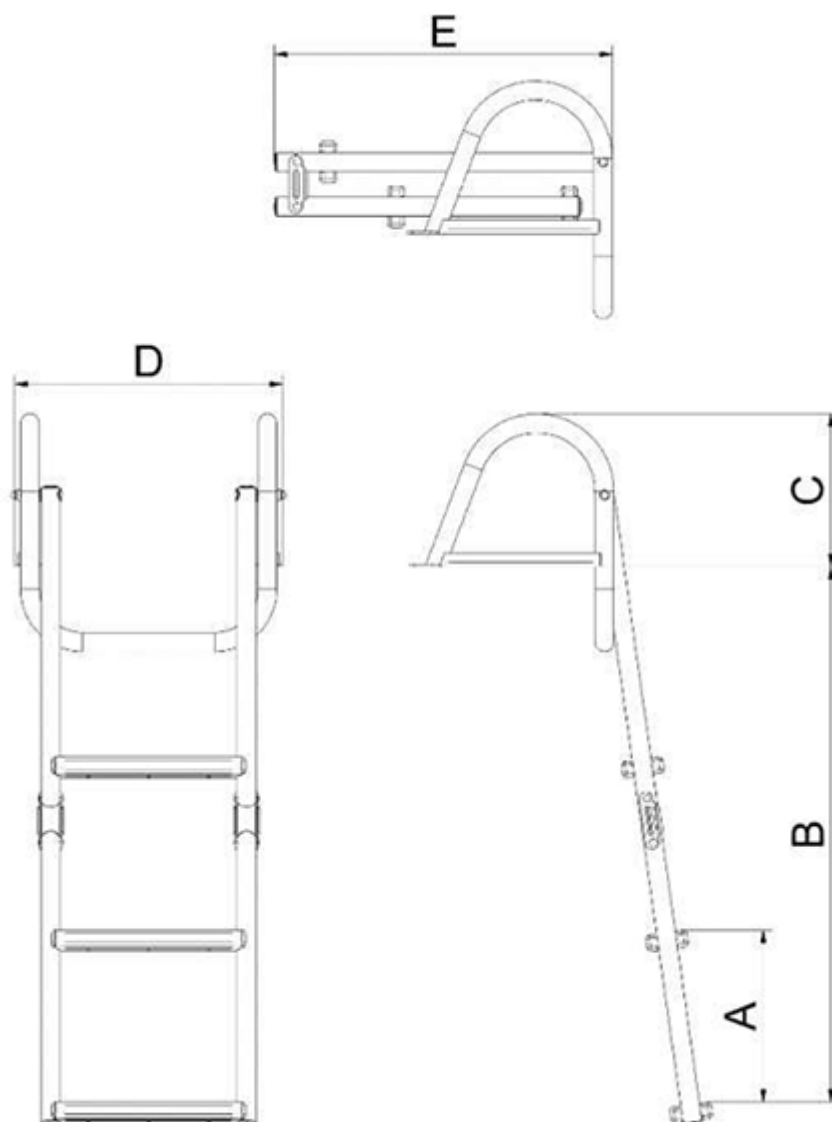
## Product Images



## Short Description

The 2218 is an over-platform, folding, ladder. The 2218 is made from mirror-polished, 316-grade, stainless steel and is available in three widths, with three, four and five steps. This folding ladder has iroko treads and a locking system to prevent the ladder from deploying when not in use.

## Description



Part Number	A	B	C	D	E	Steps
<b>2218.03.255.3.SS</b>	230	710	205	255	450	3 steps with iroko treads
<b>2218.03.320.3.SS</b>	230	710	205	320	450	3 steps with iroko treads
<b>2218.03.355.3.SS</b>	230	710	205	355	450	3 steps with iroko treads
<b>2218.03.355.4.SS</b>	200	850	205	355	510	4 steps with iroko treads
<b>2218.03.355.5.SS</b>	210	1035	205	355	610	5 steps with iroko treads

*all measurements in mm*

## Additional Information

---

Operation Type	Manual
Weight (kg)	5.000000
Manufacturer	Nautinox
Finish	316 Stainless Steel & Iroko Treads

## Product Options

---

Number of Steps:	3 Step
	4 Step
	5 Step
Width (mm):	255.00
	320.00
	355.00

