



2028 Series Swim Platform

From

£492.53

Excl. Tax: £410.44

Product Images



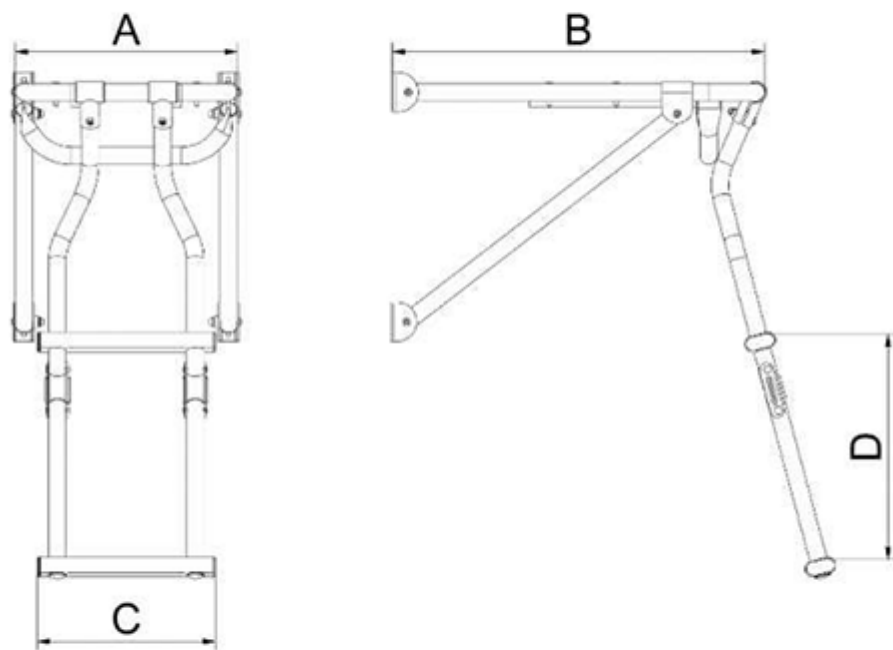
Short Description

The 2028 series is a swim platform with a frame made from mirror polished, 316-grade, stainless steel and features an iroko platform. The ladder has two steps and is available in two widths, the largest of which is available in a choice of iroko planking or iroko grating on the platform.

The 2028 has transom brackets that are adjustable to fit any stern and swivelling mounting clamps that are fixed with M8 through bolts (not supplied).

Please note the version with iroko planking is pictured.

Description



Part Number	A	B	C	D	Features
2028.03P.220.2.SS	220	475	185	285	2 steps with iroko plank platform
2028.03G.280.2.SS	280	475	225	285	2 steps with iroko grate platform
2028.03P.280.2.SS	280	475	225	285	2 steps with iroko plank platform

all measurements in mm

Additional Information

Operation Type	Manual
Weight (kg)	4.500000
Manufacturer	Nautinox

Product Options

Finish:	316 Stainless Steel with Iroko Plank
	316 Stainless Steel with Iroko Grate
Width (mm):	220.00
	280.00

