



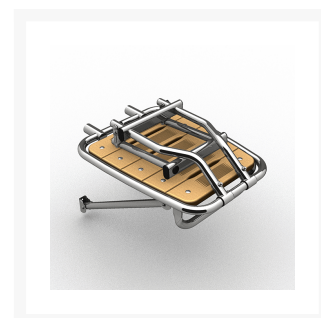
2620 Series Swim Platform

From

£367.72

Excl. Tax: £306.43

Product Images

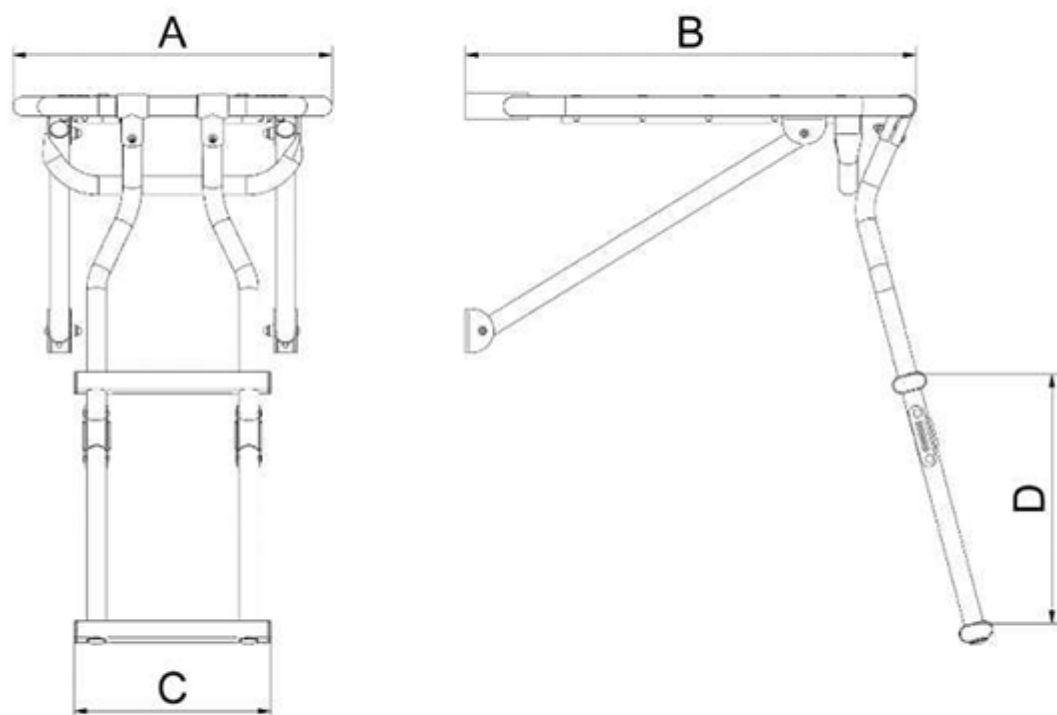


Short Description

The 2620 series is a swim platform with a frame made from mirror polished, 316-grade, stainless steel and features an iroko platform. This ladder is available with or without two steps and is sold in two widths.

The 2620 has transom brackets that are adjustable to fit any stern and swivelling mounting clamps that are fixed with M8 through bolts (not supplied).

Description



Part Number	A	B	C	D	Features
2620.03P.365.2.SS	365	520	225	285	Including 2 steps
2620.03P.365.SS	365	520	N/A	N/A	Iroko plank platform only
2621.03P.325.2.SS	325	520	225	285	Including 2 steps
2621.03P.325.SS	325	520	N/A	N/A	Iroko plank platform only

all measurements in mm

Additional Information

Operation Type	Manual
Weight (kg)	7.000000
Manufacturer	Nautinox
Finish	316 Stainless Steel

Product Options

Version:	With Ladder
	Platform Only
Width (mm):	325.00
	365.00

