



EMH-MS Electronic Horn With Microphone & Siren

From

£370.50

Excl. Tax: £308.75

Product Images

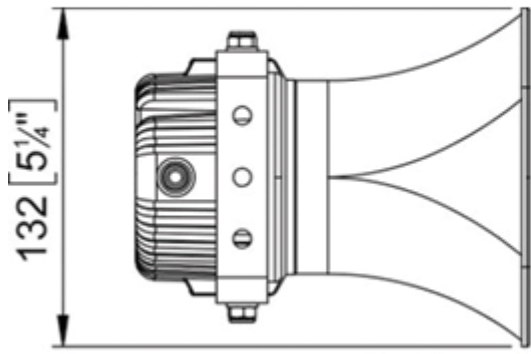


Short Description

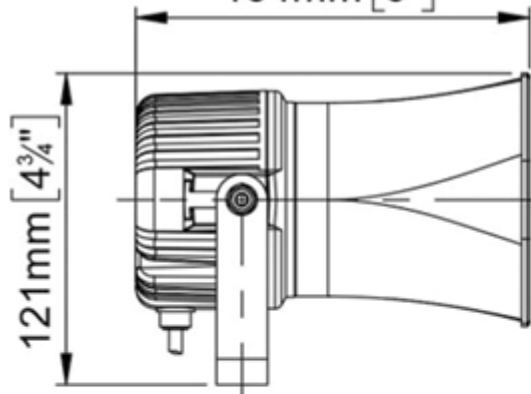
The *EMH-MS* is a compact and cost effective loudspeaker horn solution. Ideal for smaller craft or for vessels that do not require an approved signalling device for insurance reasons, the *EMH-MS* offer a great amount of features in a compact package. The kit also includes a microphone for loudspeaker use. The *EMH-MS* functions are as follows:

- Manual tone - this can be installed across contacts marked 1 and 2 in order to ensure that it always has priority over any other function being used.
- Fog horn - This signal can be repeated at 60 or 90 second intervals. The default signal is a tone with a 5 second duration.
- Amplifier with auxiliary input for connection of other devices.
- Microphone - With the microphone connected into the mic. socket, the loudspeaker can be used as an excellent voice communication device.
- Siren - a siren tone is also available as standard.

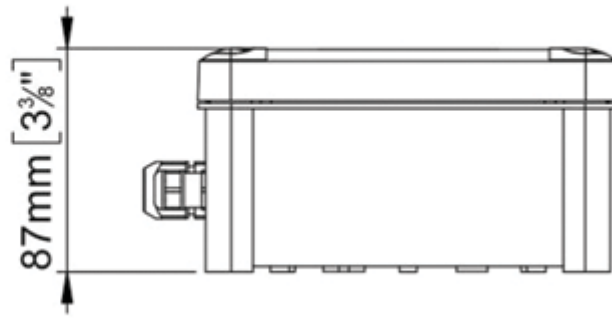
Description



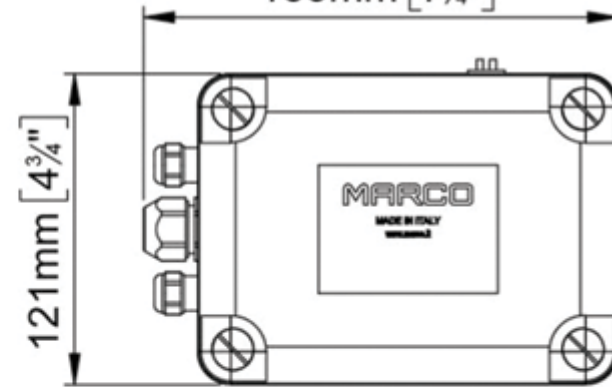
154mm [6"]



H 121 x L 154 x W 132 mm
H 4 3/4" x L 6" x W 5 1/4"



185mm [7 1/4"]



H 121 x L 185 x W 87 mm
H 4 3/4" x L 7 1/4" x W 3 3/8"

Additional Information

Finish	White
Power Consumption	1.5 Amps
Horn Type	Electronic Multi-function Horn
dB (1/3 OCT. 1M)	112.00
Hz	800.00
Weight (kg)	1.530000
Manufacturer	Marco

Product Options

Input Voltage:	12Vdc
	24Vdc

