



Flexible LED Wall Washing Strip - 10° Lens

Product Images





Short Description

Innovative LED strip with 10° lens for far reaching wall grazing effects. This product is designed to illuminate tall structures and surfaces with a focused, anti-glare light output. It is the perfect product for architectural application, highlighting a building's features, or can equally be used in a marine application for mast illumination or similar.

- IP67 rated casing with injection moulded connectors and end caps or various IP65 DIY options
- 10° beam output with near 80 lux at 10 metre distance
- Available in 2700°K, 3000°K or 4000°K
- Cutable every 150mm
- Constant voltage strip type
- 3 year warranty
- Dimmable
- Top view bend direction
- Can be custom made to order in specified lengths with silicone moulded end caps

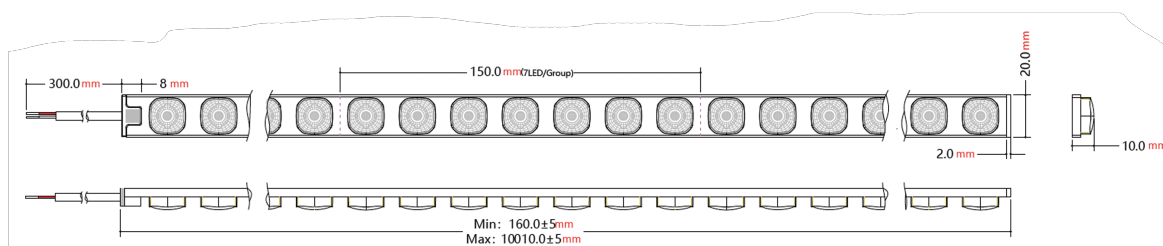
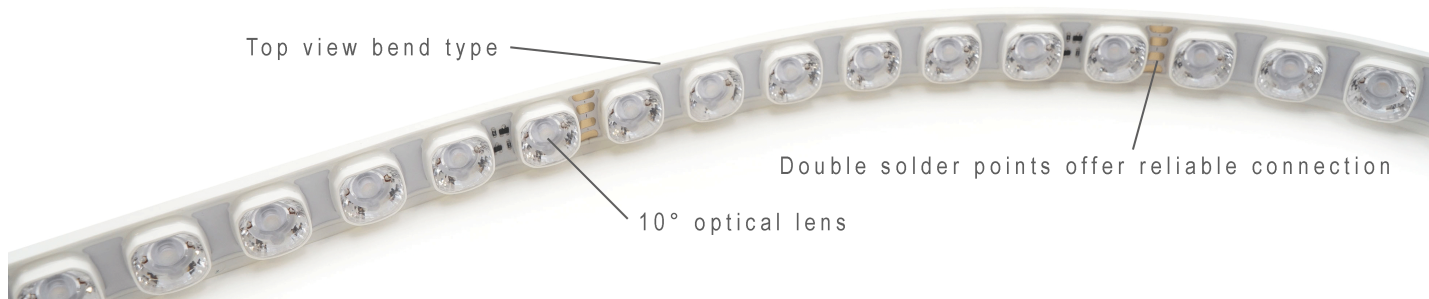
Description

The Profile

This wall washing flexible LED strip is the perfect solution for dramatic structure illumination in both an interior and exterior environment. The IP67 rating of the product means that it can be installed in wet locations and is suitable for exterior use. The product is entirely resistant to dust ingress and offers a high

level of durability against solvents, saltwater and UV light.

This innovative product is compact at only 20mm x 10mm in section and 150mm between cutting points. It is supplied either on a 10 metre reel with injection moulded end cap and cable connector or it can be supplied prepared to custom lengths. The 10 metre reels can be cut and prepared on site, finished with an IP65 DIY connector or end cap. Various accessories are available to aid installation.







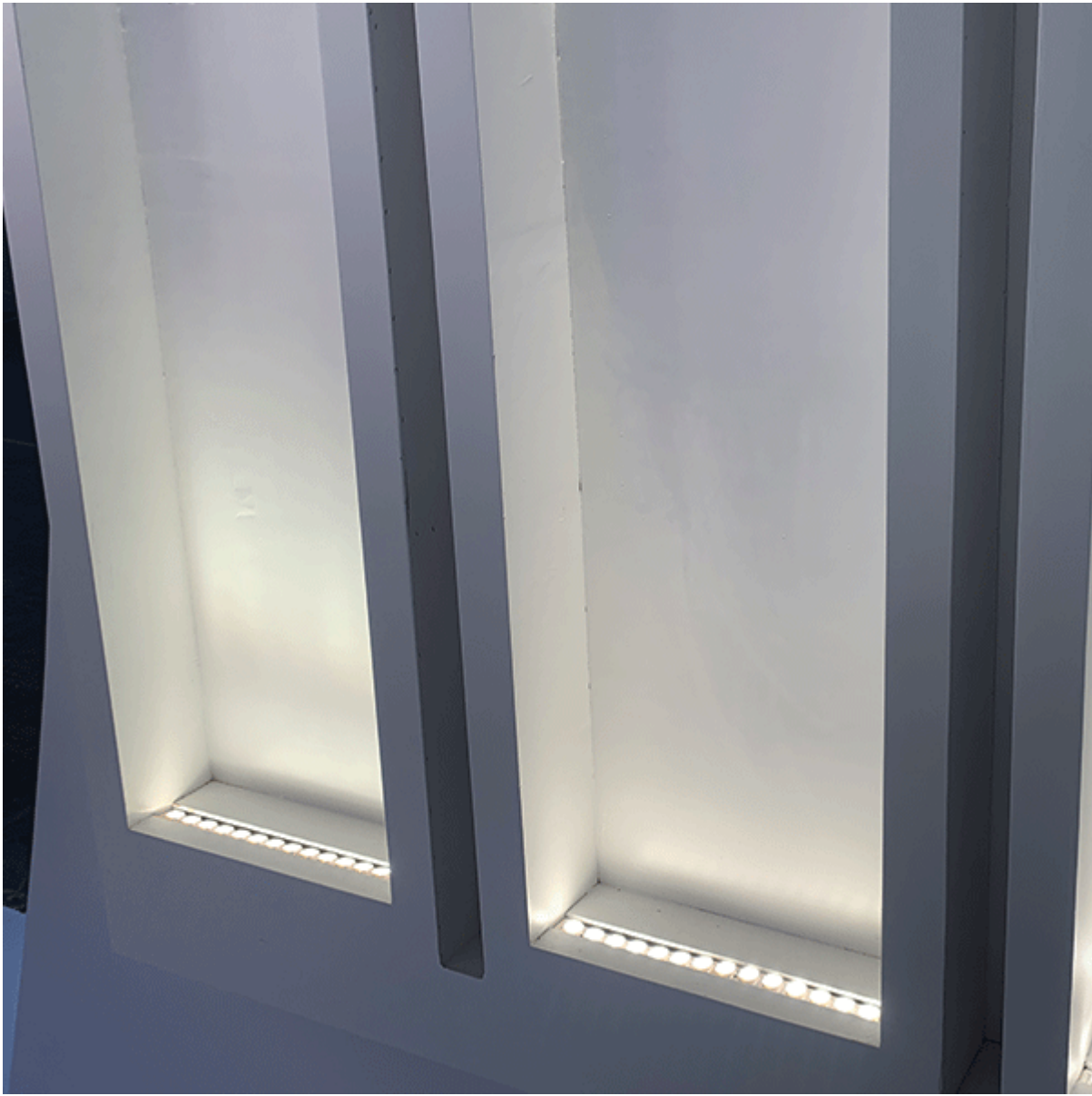
Specification

Wall Washing Strip 10° Lens

Silicone construction IP65 Dimmable

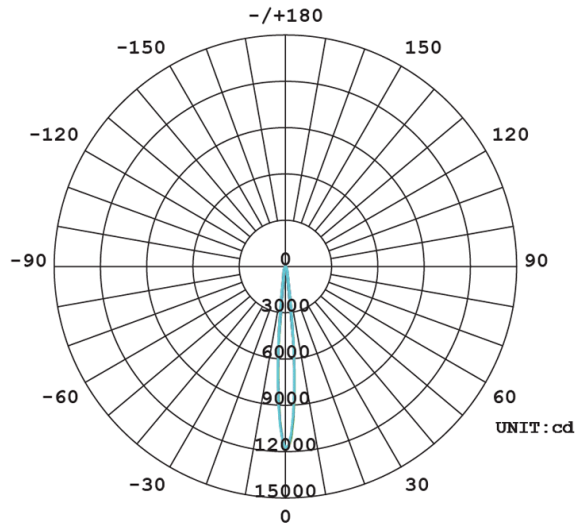
Code	CCT	CRI	LM/m	Watt/M	Cut Unit	Lens	Average Lux at 5m	Max. Length	Voltage	Type
WW2835CV.12.24V.2700	2600-2800	>90	1500	20	150mm	10°	295	10m Single Power Input	24Vdc	CV
WW2835CV.12.24V.3000	2900-3100	>90	1600	20	150mm	10°	302	10m Single Power Input	24Vdc	CV
WW2835CV.12.24V.4000	3900-4100	>90	1700	20	150mm	10°	312	10m Single Power Input	24Vdc	CV





Performance

3000K



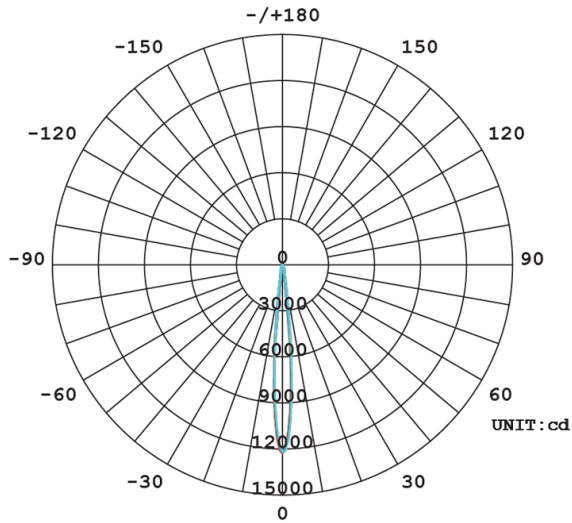
AVERAGE BEAM ANGLE (50%) : 10.2 DEG

- C0/180, 10.2 Ic=11838
- C30/210, 10.1 Ic=11775
- C60/240, 10.1 Ic=11775
- C90/270, 10.3 Ic=11752

Flux out: 262.3 lm

Height	Eavg, Emax	Angle: 10.17deg	Diameter
1m	7559, 11838lx		17.80cm
2m	1890, 2960lx		35.60cm
3m	839.9, 1315lx		53.39cm
4m	472.4, 739.9lx		71.19cm
5m	302.4, 473.5lx		88.99cm
6m	210.0, 328.8lx		106.79cm
7m	154.3, 241.6lx		124.58cm
8m	118.1, 185.0lx		142.38cm
9m	93.32, 146.1lx		160.18cm
10m	75.59, 118.4lx		177.98cm

4000K



AVERAGE BEAM ANGLE (50%) : 10.2 DEG

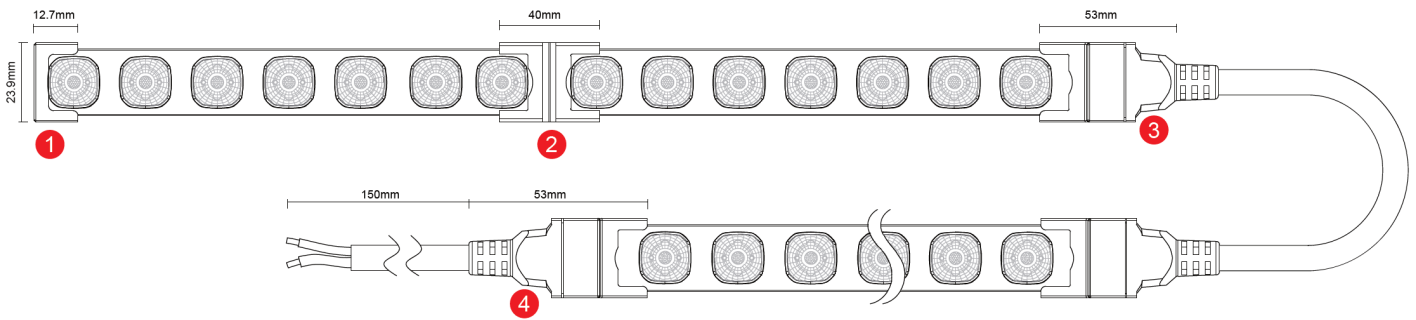
- C0/180, 10.0 Ic=12297
- C30/210, 10.1 Ic=12254
- C60/240, 10.2 Ic=12229
- C90/270, 10.3 Ic=12198

Flux out: 271.1 lm

Height	Eavg, Emax	Angle: 10.04deg	Diameter
1m	7812, 12297lx		17.57cm
2m	1953, 3074lx		35.14cm
3m	868.0, 1366lx		52.71cm
4m	488.3, 768.6lx		70.28cm
5m	312.5, 491.9lx		87.84cm
6m	217.0, 341.6lx		105.41cm
7m	159.4, 251.0lx		122.98cm
8m	122.1, 192.1lx		140.55cm
9m	96.45, 151.8lx		158.12cm
10m	78.12, 123.0lx		175.69cm

Accessories

*Fast connectors ① ② ③ ④ need fill UV glue and UV light curing to reach IP65 grade.



① End cap



② Splice connector



③ Jumper connector



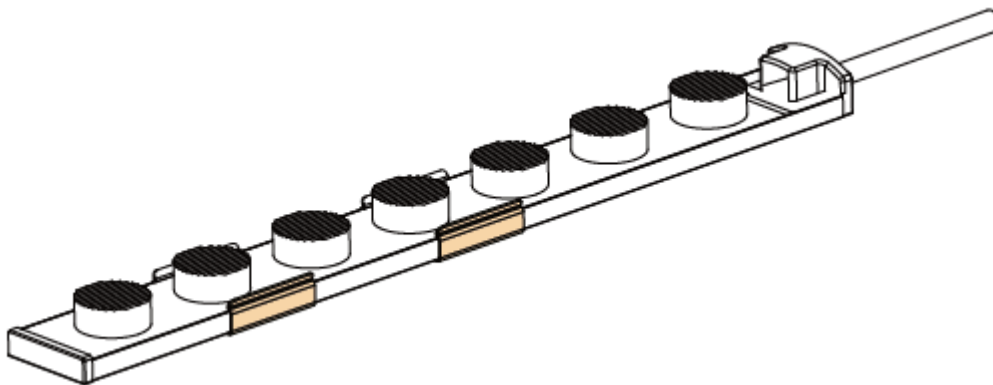
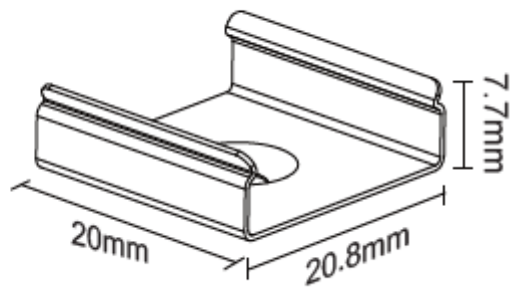
④ End cap with power cord



Cutting tool(Scissor)

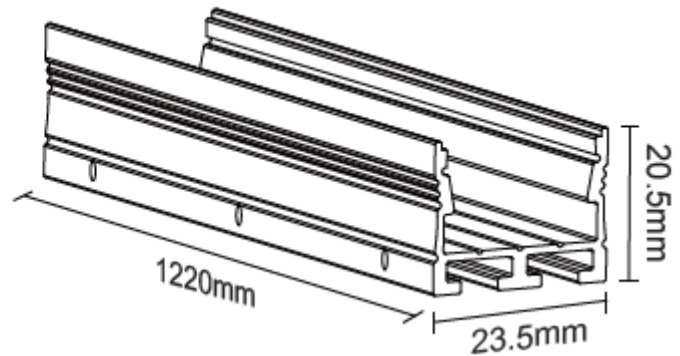
Mounting Bracket

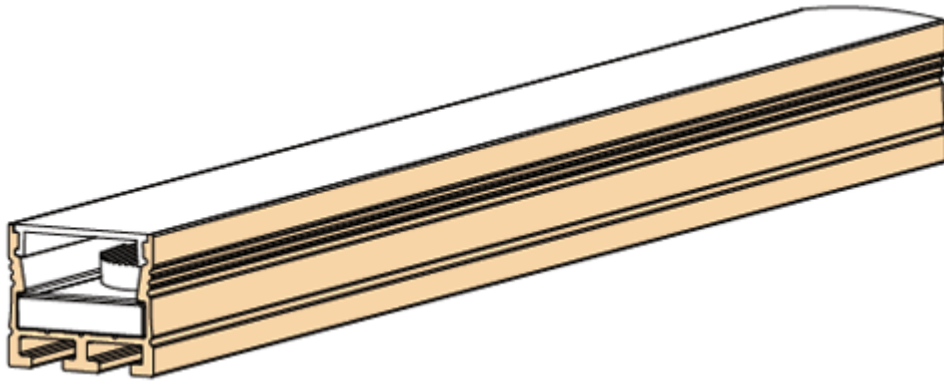
20.8×20×7.7mm



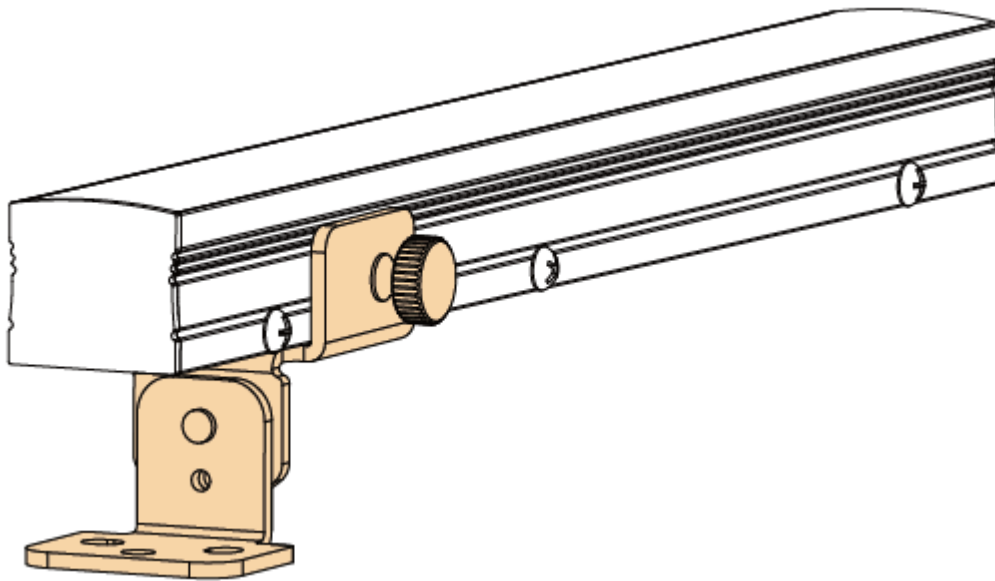
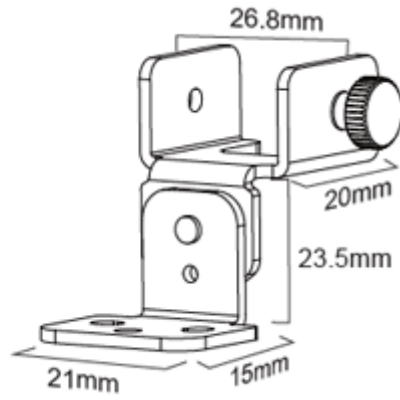
Aluminum profile

23.5×20.5×1220mm





Adjustable bracket



Additional Information

Weight (kg)	0.375000
Unit of Sale	10 Metre Reel
Light Element Type	SMD LED 20W/m
Material	Silicone
Lens Angle	10°
Width (mm)	20.00
Height (mm)	10.00
Wattage	20 W / Metre
Input Voltage	24Vdc
IP Rating	IP65
Dimmer	Yes
CRI	>90
Cutting Intervals (mm)	150.00
Lumens Per Watt (Lm)	80 (average)
Luminous Flux (lm/M)	960 (average)
Operating Temperature Range (°C)	-25° - +45°C
Strip LED Type	Flexible Wall Washing

