



Stainless Steel Double Tail Hinge

From

£6.08

Excl. Tax: £5.07

Product Images



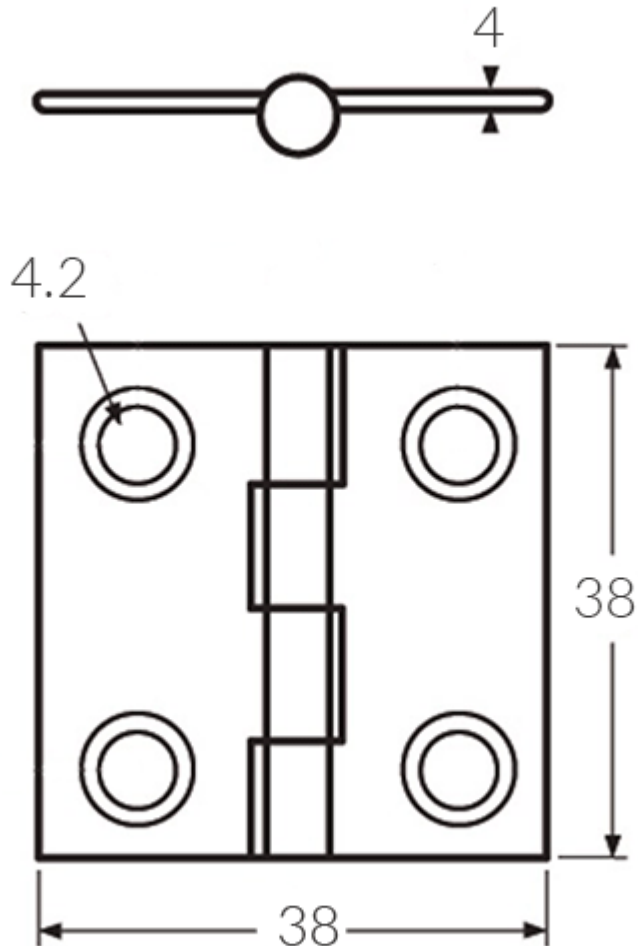
Short Description

A 316-grade, stainless steel, double tail hinge.

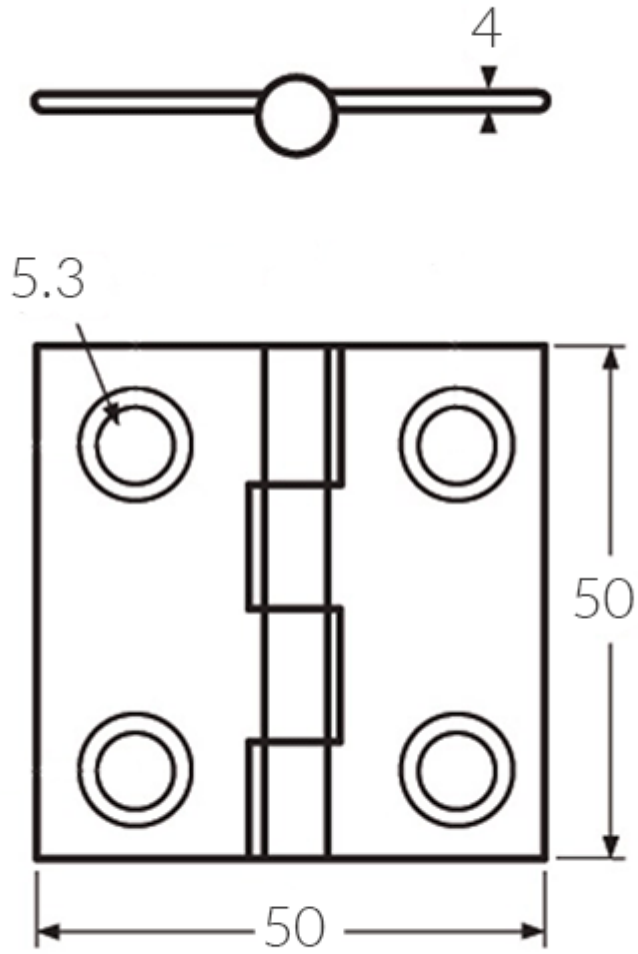
Available in two sizes, 38 x 38 and 50 x 50.

Description

DE-68100SS



DE-68200SS



Additional Information

| | |
|---------------------|---------------------|
| Finish | 316 Stainless Steel |
| Leaf Thickness (mm) | 4.0 |
| Weight (kg) | 0.000000 |

Product Options

Size: 38.00mm x 38.00mm

50.00mm x 50.00mm

