



Stainless Steel Double Tail Hinge - 38.00mm x 38.00mm

£6.08

Excl. Tax: £5.07

Product Images



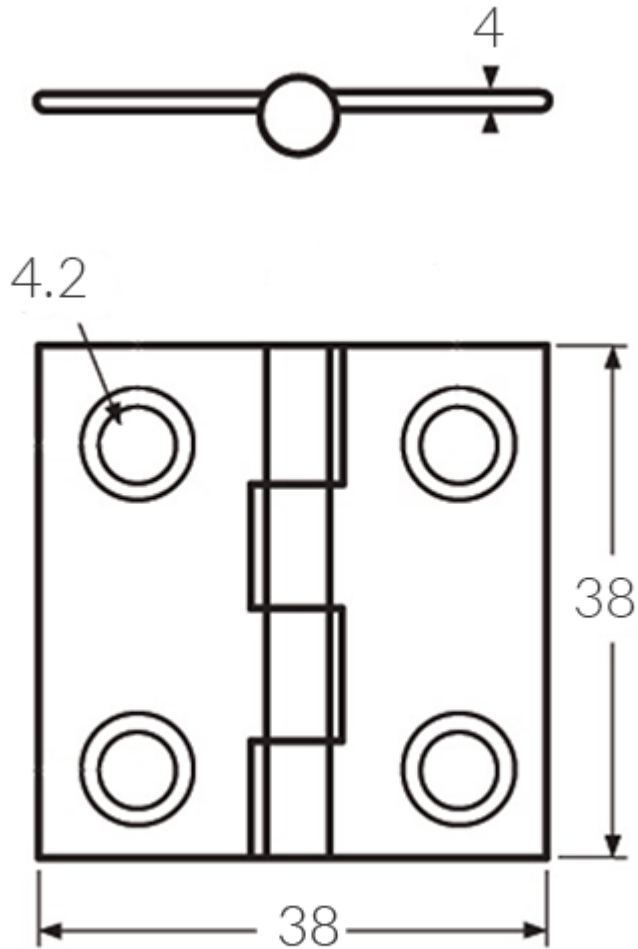
Short Description

A 316-grade, stainless steel, double tail hinge.

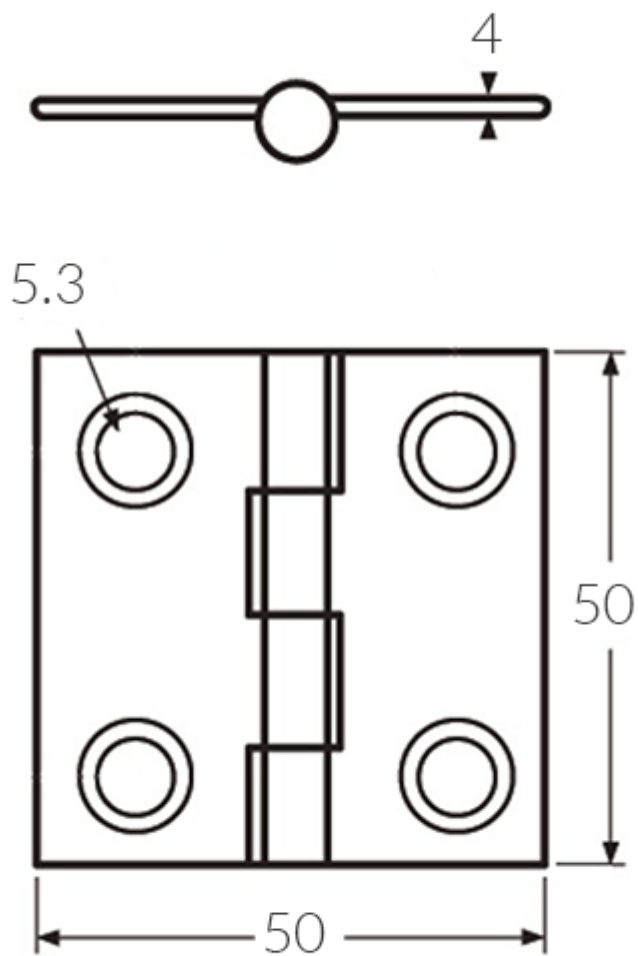
Available in two sizes, 38 x 38 and 50 x 50.

Description

DE-68100SS



DE-68200SS



Additional Information

Finish	316 Stainless Steel
Leaf Thickness (mm)	4.0
Weight (kg)	0.040000

