



# Stainless Steel Double Tail Hinge - 50.00mm x 50.00mm

**£7.00**

Excl. Tax: **£5.83**

## Product Images



## Short Description

---

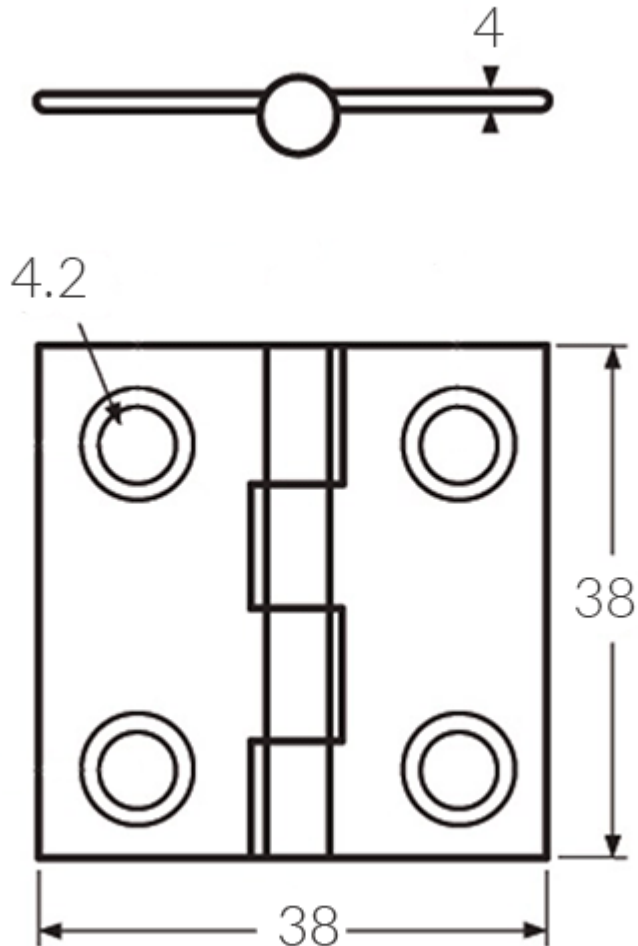
A 316-grade, stainless steel, double tail hinge.

Available in two sizes, 38 x 38 and 50 x 50.

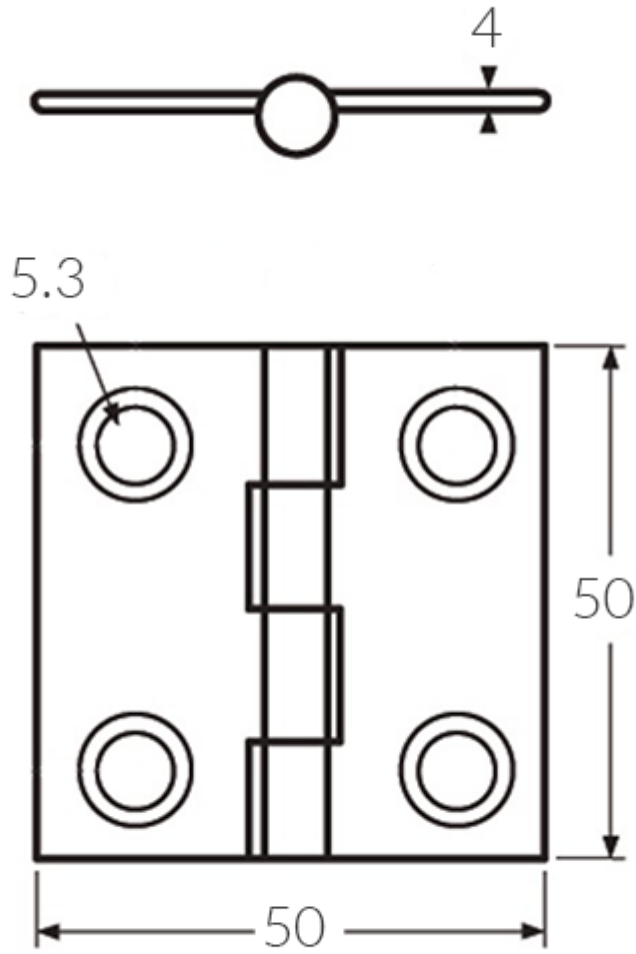
## Description

---

# DE-68100SS



# DE-68200SS



## Additional Information

Finish	316 Stainless Steel
Leaf Thickness (mm)	4.0
Weight (kg)	0.070000

