



# Stainless Steel Cranked Hinge

From

**£12.46**

Excl. Tax: £10.38

## Product Images



## Short Description

---

A 316-grade stainless steel cranked hinge.

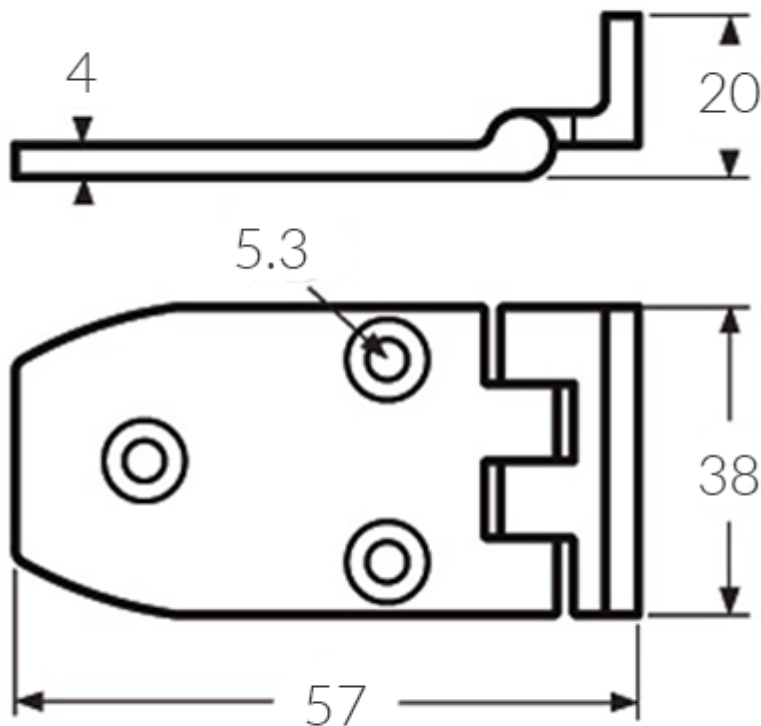
Available in two lengths.

Fixings can be purchased separately, please see the related products section below. If selecting a metric precision screw then we recommend an M5 size. The correct size for self-tapping screws is our 4.8mm diameter (No.10) and if selecting a wood screw then we recommend the 5mm diameter size.

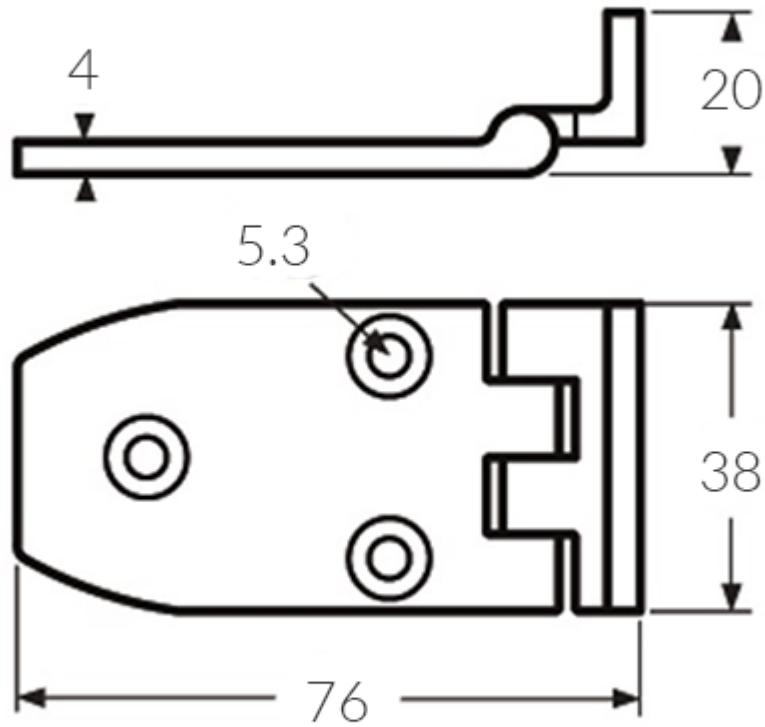
## Description

---

# DE-68600SS



# DE-68700SS



## Additional Information

Finish	316 Stainless Steel
Leaf Thickness (mm)	4.0
Weight (kg)	0.000000
Height (mm)	20.00

---

Length (mm):

52.00

68.00



## Product Options