



# Stainless Steel Cranked Hinge - 52.00mm Length

**£12.46**

Excl. Tax: £10.38

## Product Images



## Short Description

---

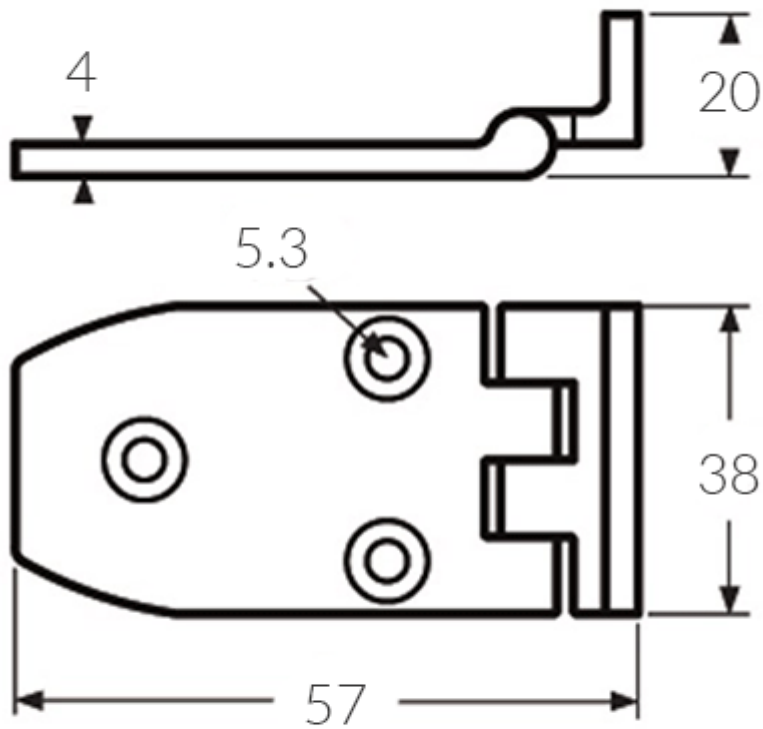
A 316-grade, stainless steel, cranked hinge.

Available in two lengths.

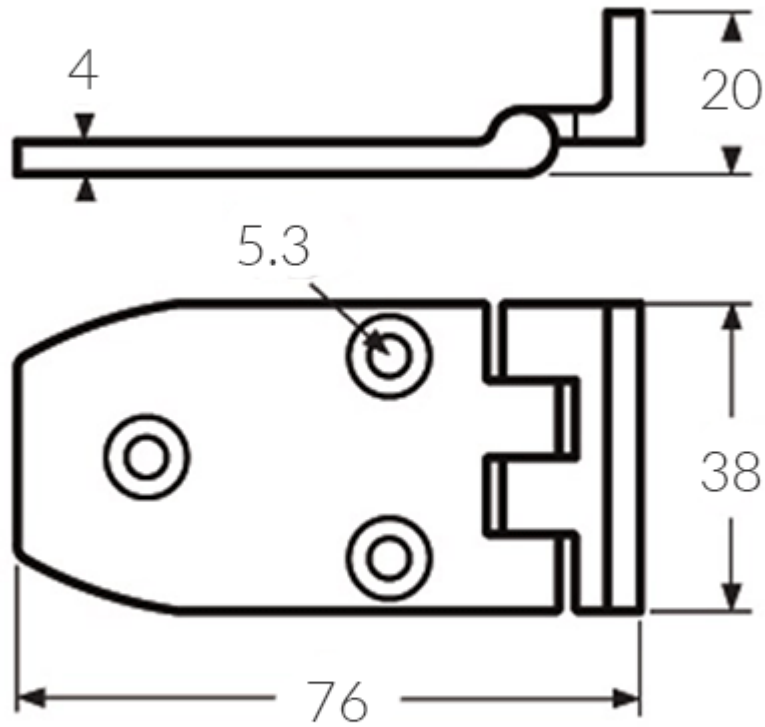
## Description

---

# DE-68600SS



# DE-68700SS



## Additional Information

Finish	316 Stainless Steel
Leaf Thickness (mm)	4.0
Weight (kg)	0.080000
Height (mm)	20.00
Length (mm)	52.00

