



Stainless Steel Double Tail Hinge

From

£7.72

Excl. Tax: £6.43

Product Images



Short Description

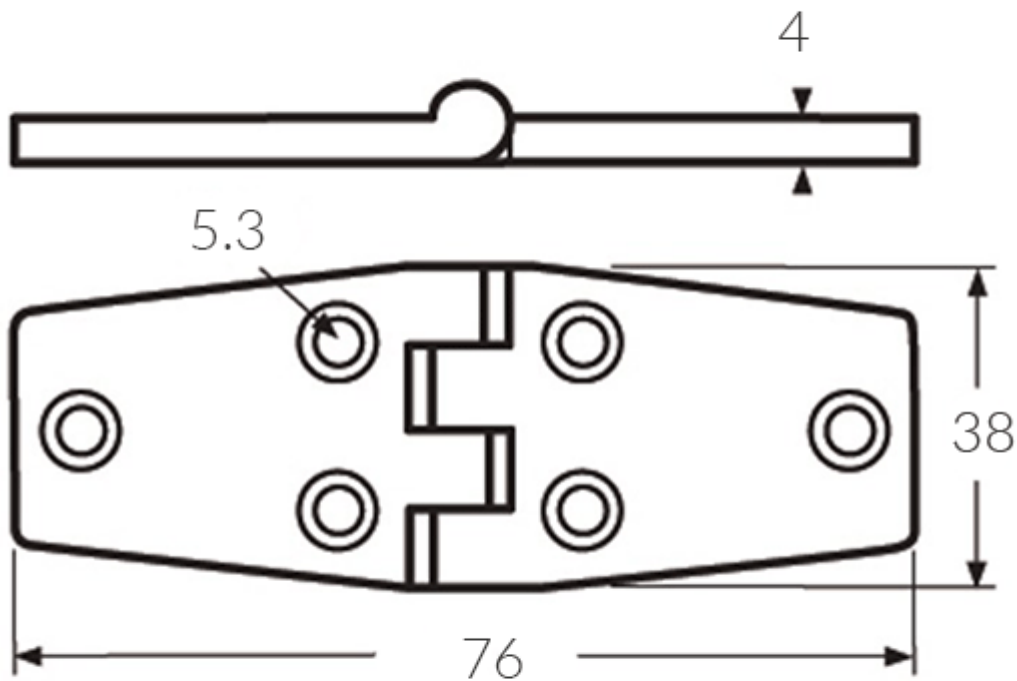
A 316-grade stainless steel double tail hinge.

Available in two lengths.

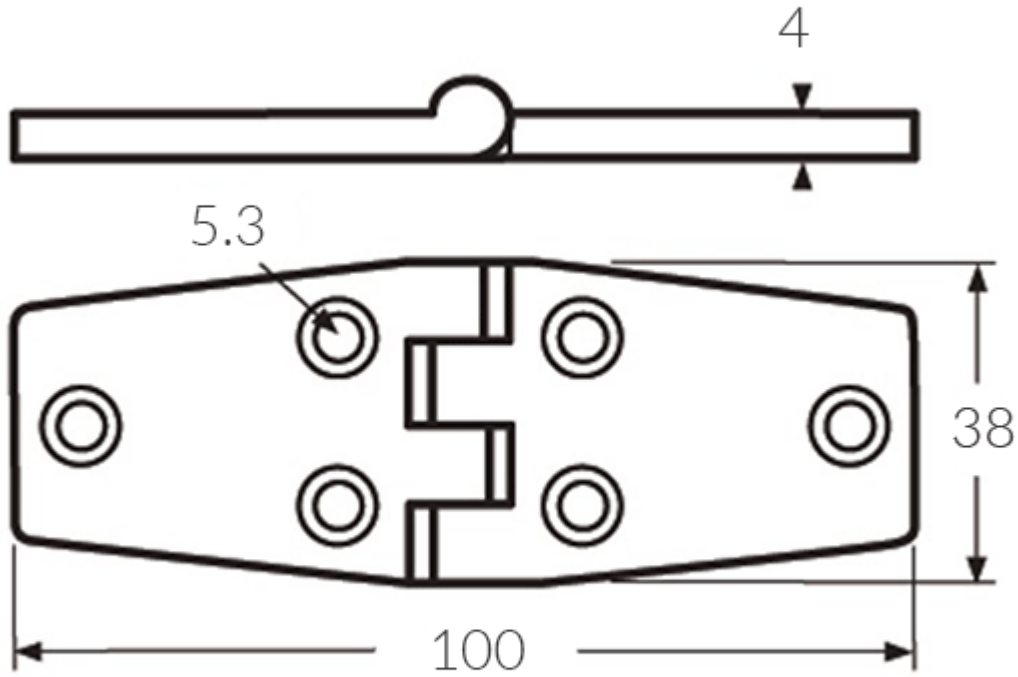
Fixings can be purchased separately, please see the related products section below. If selecting a metric precision screw then we recommend an M5 size. The correct size for self-tapping screws is our 4.8mm diameter (No.10) and if selecting a wood screw then we recommend the 5mm diameter size.

Description

DE-68800SS



DE-68900SS



Additional Information

Finish	316 Stainless Steel
Leaf Thickness (mm)	4.0
Weight (kg)	0.071500

Product Options

Length (mm):

76.00

100.00

