



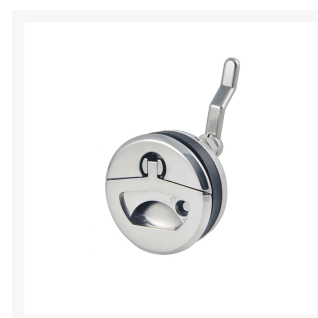
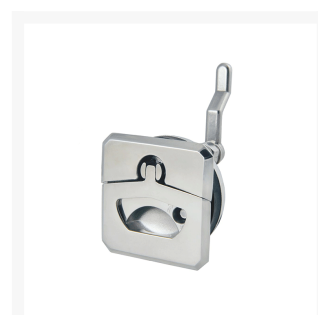
# Stainless Steel Hatch Lock

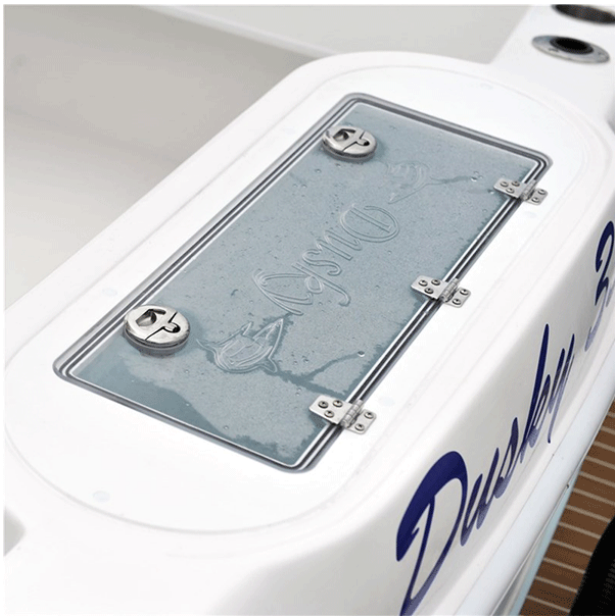
From

**£68.29**

Excl. Tax: £56.91

## Product Images





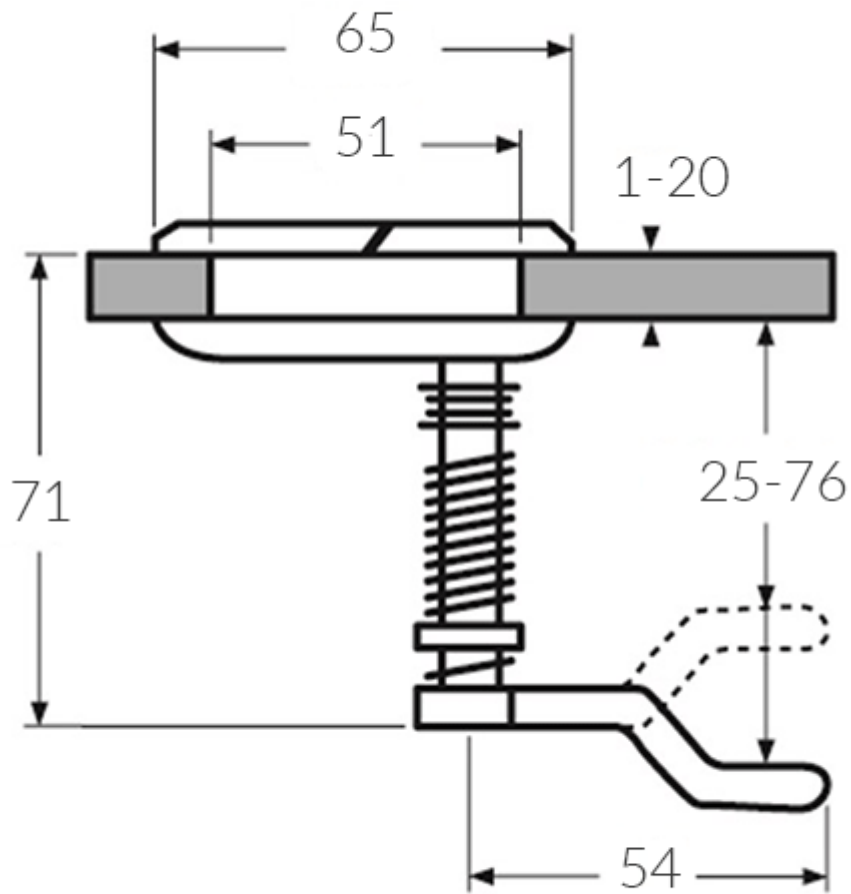
## Short Description

---

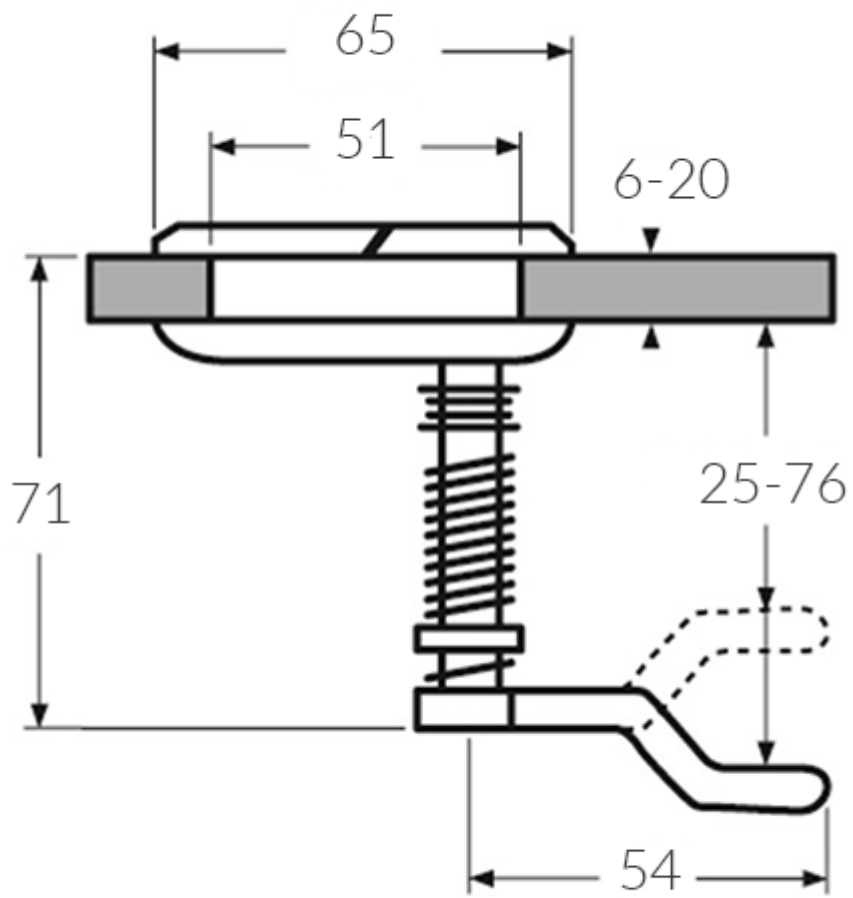
A 316-grade, stainless steel, hatch lock. Available in a round or square design, locking and non-locking.

- Spring loaded
- Anti-rattle design
- Waterproof
- Installation screws and gaskets included

# Without Lock



# With Lock



## Additional Information

Weight (kg)	0.300000
Finish	316 Stainless Steel

## Product Options

---

Locking:	No Lock
	With Lock
Version:	Round
	Square

